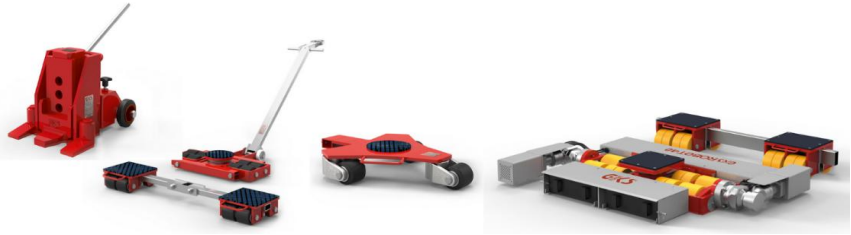


SPARE PARTS FOR JACKS TYPE V

Valid from 7/2025

DESCRIPTION	POS.	Art.-no.	V5 (10181)	V10 (10182)	V15 (10183)	V20 (10184)	
SEALS							
Seal kit	(8 pcs.)	10104	\$ 51.00				
	(8 pcs.)	10105		\$ 54.00			
	(8 pcs.)	10106			\$ 60.00		
	(11 pcs.)	10107				\$ 84.00	
O-ring:	8x4	1	10108	\$ 2.27	\$ 2.27	\$ 2.27	
** O-ring:	14x3	2	10109			x	
O-ring:	22x3	3	10110	x	x	x	
			10302	x	x	x	
O-ring:	29x3	4	10111	x			
	44x3		10112		x		
	57x3		10113			x	
	64x3		10114				x
Copper-ring	14x20x1,5	5	10115	\$ 3.50	\$ 3.50	\$ 3.50	
	11x20x1	6	10116	\$ 3.50	\$ 3.50	\$ 3.50	
Button-type seal	12x4x8	7	10117	\$ 17.50	\$ 17.50	\$ 17.50	
Washer	20x35x9	8	10118	\$ 24.50			
	28x50x10		10119		\$ 28.00		
	63x48x12		10120			x	
	50x70x10,5		10121				x
(Fast stroke)	20x14x6,3	9	10122			\$ 52.82	
HYDRAULIC PARTS							
Hydraulic unit		10	10123	\$ 1,368.00			
			10124		\$ 2,091.00		
			10125			\$ 2,238.00	
			10126				\$ 3,390.00
Lifting piston complete		11	10127	\$ 192.00			
			10128		\$ 213.00		
			10129			\$ 294.00	
			10130				\$ 390.00
Guiding nut		12	10131	\$ 69.00			
			10132		\$ 81.00		
			10133			\$ 105.00	
			10134				\$ 135.00
(Fast stroke) pressure piston complete	* ca./~115mm ca./~130mm	13	10135	\$ 66.00			
			10136	\$ 66.00			
			10137		\$ 69.00	\$ 69.00	\$ 69.00
			10138				\$ 144.00
** (fast stroke)			10693			\$ 92.27	
drain screw complete	* ca./~130mm ca./~140mm	14	10174	\$ 69.00			
			10139	\$ 69.00			
			10140		\$ 69.00	\$ 69.00	\$ 69.00
Thrust bolt complete		15	10141	\$ 72.00	\$ 72.00	\$ 72.00	
Cylinder compl. (fast stroke)		16	10142	\$ 48.00	\$ 48.00	\$ 48.00	
		18	10145			\$ 60.00	
Distance pipe		17	10143		\$ 21.00	\$ 21.00	
Distance ring (fast stroke)		17.1	10144			\$ 21.00	
Distance ring (fast stroke)		17.2	10954			\$ 21.00	
Valve complete		19	10146	\$ 120.00	\$ 120.00	\$ 120.00	
filter-double-ply		19.1	14928	x	x	x	
O-Ring	17x1.6	19.2	14920	x	x	x	



SPARE PARTS FOR JACKS TYPE V

Valid from 7/2025

DESCRIPTION	POS.	Art.-Nr./no.	V5 (10181)	V10 (10182)	V15 (10183)	V20 (10184)
OTHER PARTS OF JACKS						
Housing incl. feet	20	10147	\$ 921.00			
		10148		\$ 1,404.00		
		10149			\$ 1,599.00	
		10150				\$ 2,616.00
Swivelling foot (pcs.)	21	10151	\$ 108.00			
		10152		\$ 162.00		
		10830			\$ 162.00	
		^{oo} 10153			\$ 162.00	
		10154				\$ 234.00
Lifting toe	22	10155	\$ 321.00			
		10156		\$ 570.00		
		10157			\$ 669.00	
		10158				\$ 1,083.00
Slider	23	10159	\$ 456.00			
		10160		\$ 699.00		
		10161			\$ 846.00	
		10162				\$ 1,446.00
Plunger actuating block	24	10163	\$ 147.00	\$ 147.00	\$ 147.00	\$ 147.00
Little axles for actuating block	24.1	14891	\$ 27.00	\$ 27.00	\$ 27.00	\$ 27.00
Pump lever	25	10164	\$ 96.00	\$ 96.00	\$ 96.00	\$ 96.00
Air-vent screw+O-ring	26	10165	\$ 49.00	\$ 49.00	\$ 49.00	\$ 49.00
Rubber wheel with hub	28	10167	\$ 31.50			
		10168		\$ 45.50	\$ 45.50	
		10169				\$ 52.50
Screw for wheel	29	14886	\$ 4.39			
		10171		\$ 10.50	\$ 10.50	\$ 10.50
Quick release connector	30	10172	\$ 117.00	\$ 117.00	\$ 117.00	\$ 117.00
Screw connection	31	10173	\$ 24.50	\$ 24.50	\$ 24.50	\$ 24.50
Seat for swivelling foot	32	10416	\$ 19.97			
		10411		\$ 54.00		
		10692			\$ 37.94	
		10402				\$ 39.93
Swivel union is no longer required since year 2014						
Swivel union		[^] 11624	\$ 54.00	\$ 54.00	\$ 54.00	

(*) to serial-no. 6.661

(**) to year 1995

(^{oo}) to serial-no. 15.079

([^]) since year 2005

PARTS OF PUMP FOR MOD.		PV / PE
T-joint+screw connection	10175	\$ 75.00
T-joint	10176	\$ 25.01
Hydr.coupling+protective hood	10177	\$ 225.00
Protective hood	10178	\$ 7.45
hose+hydr.coupling with protective hood	2 m	10179 \$ 402.00
	3 m	14883 \$ 490.00
	4 m	11883 \$ 451.28
	6 m	11884 \$ 882.00

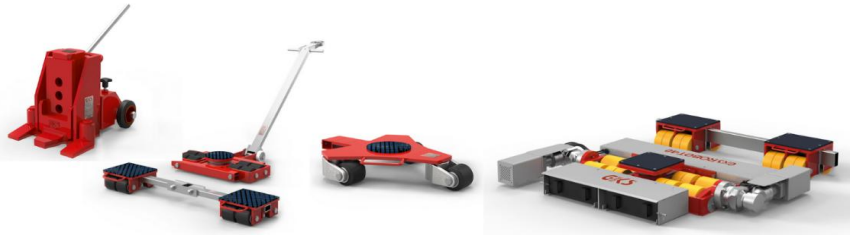
Delivery only to our sales and delivery terms

We assume no liability for printing errors

Production revisions are subject to change

Prices are subjects to change without notice.

Please use article-no. when ordering. Email us at info@gksweb.com

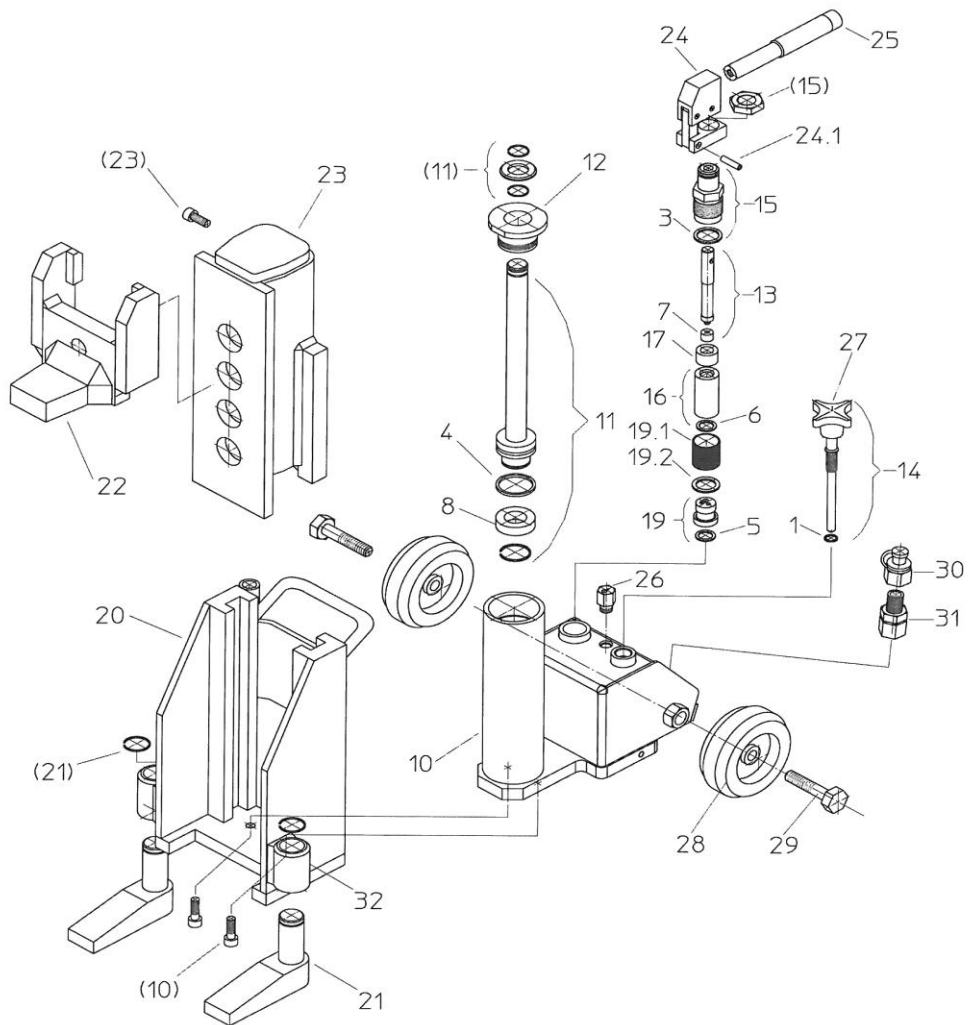


SPARE PARTS FOR JACKS TYPE V

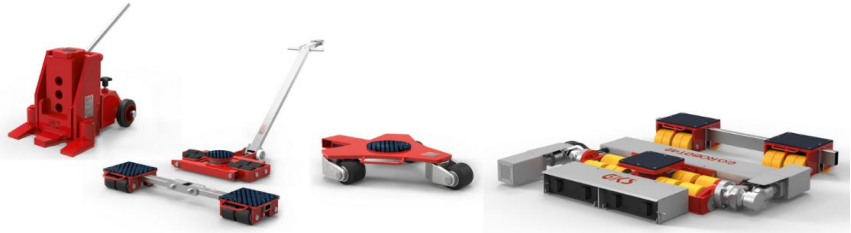
Valid from 7/2025

ASSEMBLY OF JACKS TYPE V

Example of jack type V10



(...) Part marked with brackets is component of part named between brackets.

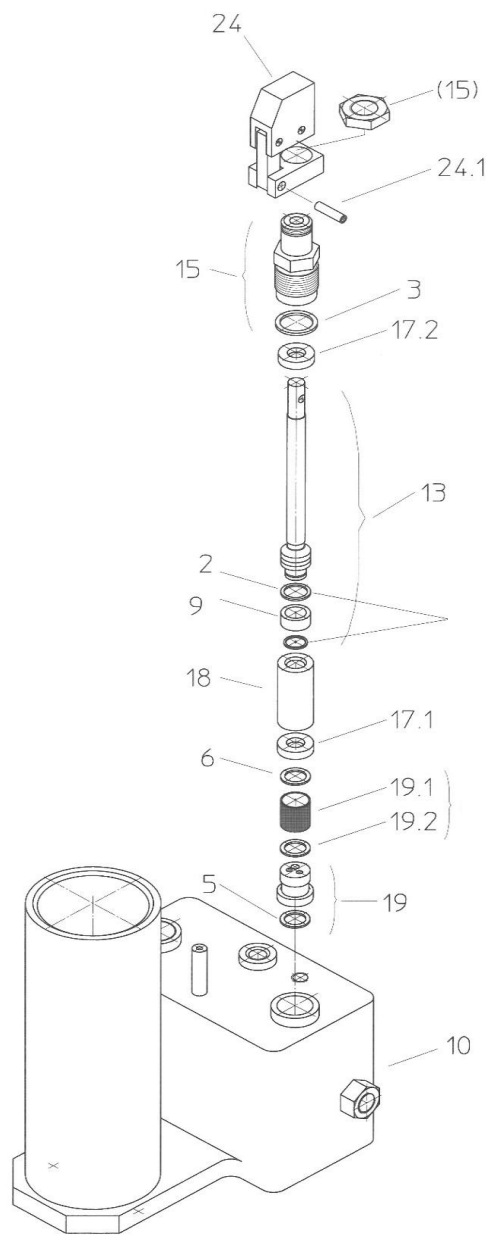


SPARE PARTS FOR JACKS TYPE V

Valid from 7/2025

ASSEMBLY OF JACK TYPE V20 - FAST STROKE

Example of jack type V20 - fast stroke



(...) Part marked with brackets is component of part named between brackets.