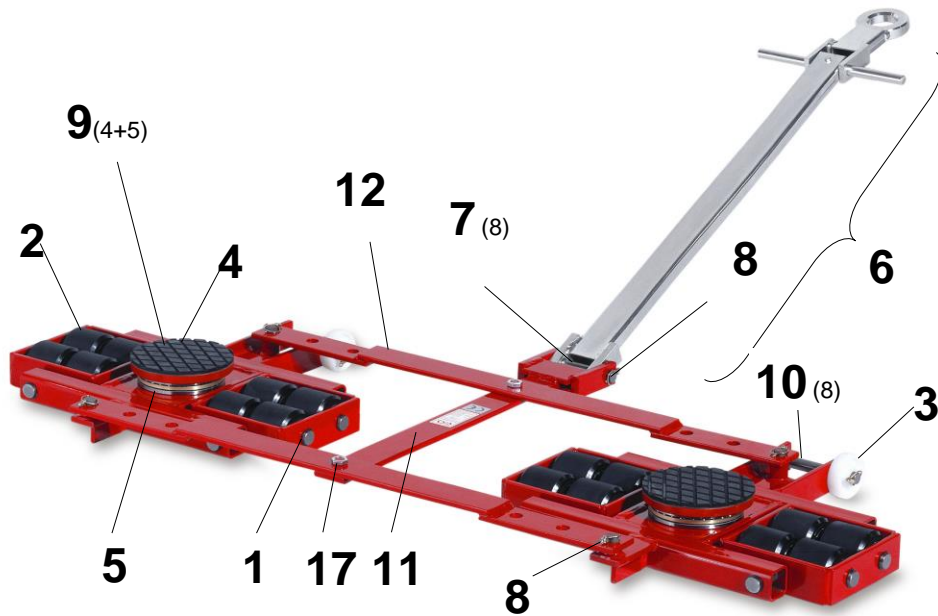


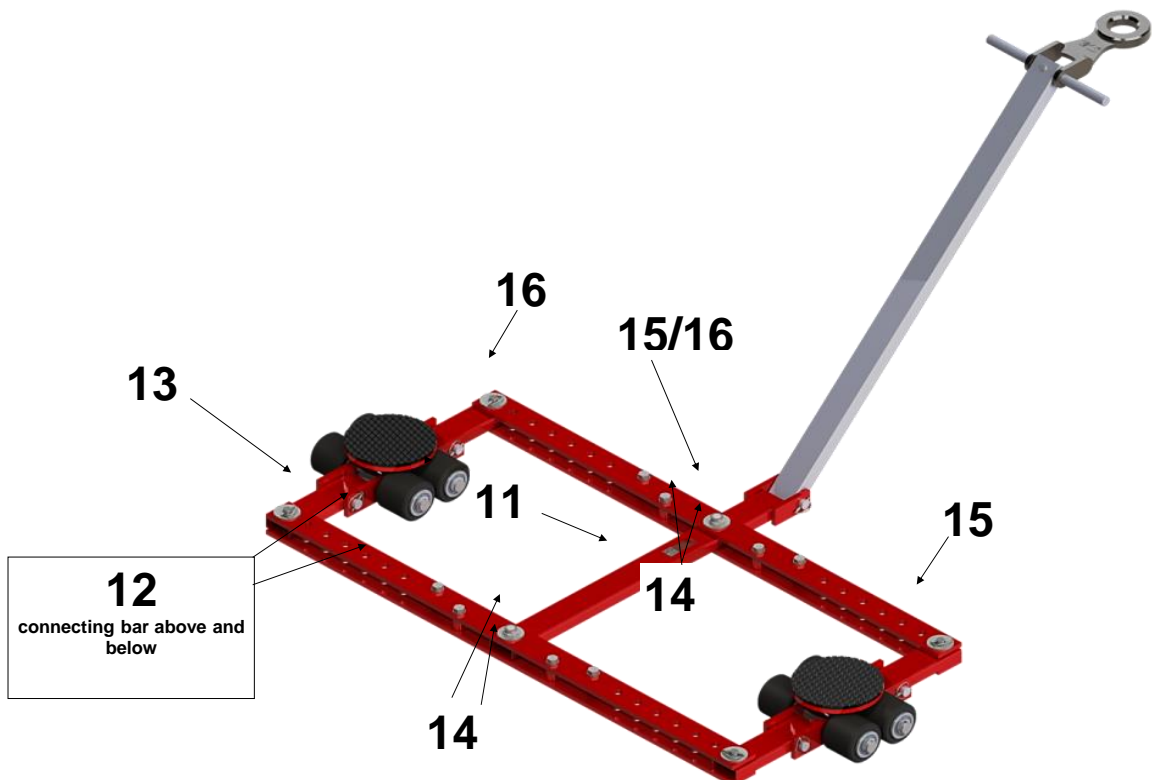
SPARE PART LIST FOR TRANSPORT TROLLEYS TANDEM TYPE TL

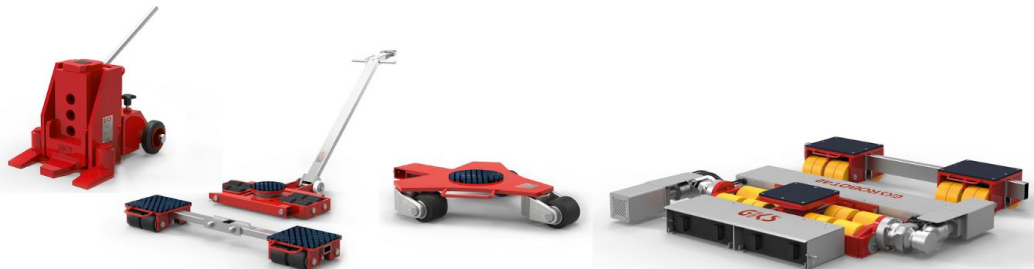
valid from 01/2024

Transport trolley type TL12



Since the year of manufacture 2009

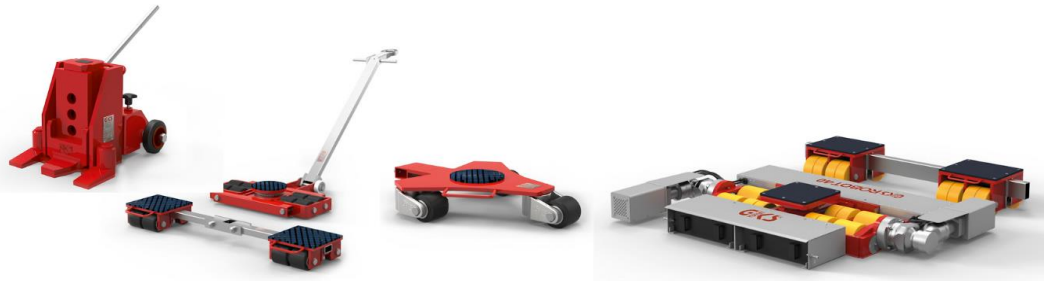




SPARE PART LIST FOR TRANSPORT TROLLEYS TANDEM TYPE TL

valid from 01/2024

POS.	NO.	DIM. in mm	TL6 10229 till year '09	TL6 10229 since year '09	TL12 10230	TL18 11807	TL20 11803	TL40 11148	TL60 12035
1	Axle (incl. circlips)								
	10007	ø25-270	\$ 44.90	\$ 44.90					
	10002	ø25-211			\$ 48.98				
	11577	ø25-314				\$ 50.18			
	12449	ø35-135,5					\$ 52.82		
	10012	ø35-218,5						\$ 81.64	
	12063	ø35-320,5							\$ 91.25
2	Wheel								
	10015	ø85x85 - ø25 Black GKS-alperfekt®	\$ 79.00	\$ 79.00	\$ 79.00	\$ 79.00			
	10016	ø 85x85 - ø25 Steel GKS®-perfekt Stahl	\$ 168.00	\$ 168.00	\$ 168.00	\$ 168.00			
	11769	ø85x85 - ø25 Grey GKS-alperfekt® PUR	\$ 120.05	\$ 120.05	\$ 120.05	\$ 120.05			
	10018	ø85x85 - ø25 White GKS-alperfekt® premium	\$ 139.00	\$ 139.00	\$ 139.00	\$ 139.00			
	12007	ø140x85 - ø35 Polyurethane Grey GKS®-perfekt PUR G					\$ 372.16	\$ 372.16	\$ 372.16
	10022	ø140x85 - ø35 White GKS®-perfekt Premium G					\$ 383.00	\$ 383.00	\$ 383.00
3	Supporting roller								
	10025	ø75			\$ 17.29	\$ 17.29	\$ 17.29	\$ 17.29	
4	Rubber load pad								
	10026	ø170	\$ 31.69	\$ 31.69	\$ 31.69	\$ 31.69	\$ 31.69		
	10027	ø250						\$ 47.54	\$ 47.54
5	Axial bearing (turnable)								
	10028	70x50x14	\$ 39.62	\$ 39.62					
	10029	145x110x25			\$ 93.64				
	10030	170x130x30				\$ 144.07	\$ 144.07	\$ 144.07	
	10031	250x180x56							\$ 799.56
6	Handlebar complete (incl. handlebar and pulling eye)								
	10760	1190	\$ 219.91	\$ 219.91					
	13205	1080			\$ 374.57	\$ 374.57			
	10036	1620					\$ 799.56	\$ 799.56	
	10037	1620							\$ 886.38
7	Axle handlebar incl. linch pin or with circlips								
	10767	ø20-99	\$ 36.98	\$ 36.98					
	10904	ø20-140			\$ 44.90	\$ 44.90			
	10059	ø25-179					\$ 52.82	\$ 52.82	
	10471	ø35-180							\$ 59.15
8	Linch pin								
	10050	4x27	\$ 7.99	\$ 7.99	\$ 7.99	\$ 7.99			
Rotating table complete (incl. rubber pad + axial bearing)									



SPARE PART LIST FOR TRANSPORT TROLLEYS TANDEM TYPE TL

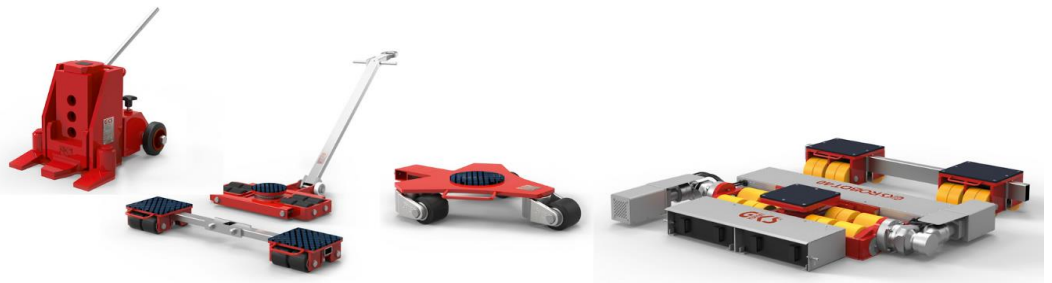
valid from 01/2024

9	10046	ø170	\$ 112.85	\$ 112.85					
	10047	ø170			\$ 252.11				
	10048	ø170				\$ 295.33	\$ 295.33	\$ 295.33	
	10768	ø250							\$ 2,204.68

POS.	NO.	DIM. in mm	TL6 10229 till year `09	TL6 10229 since year`09	TL12 10230	TL18 11807	TL20 11803	TL40 11148	TL60 12035	
10	Axle supporting roller incl. linch pin or with circlips									
	10058	ø20-180			\$ 55.46	\$ 55.46				
	10906	ø20-219					\$ 55.46	\$ 55.46		
11	Centre bar									
	10100	755	\$ 226.64							
	13295	755		\$ 242.51						
	10101	700			\$ 206.45					
	11809	1430				\$ 300.70				
	11417	1312					\$ 343.33	\$ 343.33		
	10464	1785							\$ 558.76	
12	Connecting bar per pcs.									
	10102	50x10 -1200	\$ 127.91							
	13296	60x10-1200		\$ 153.67						
	13215	Connecting bar below		\$ 235.62						
	10103	60x20 -1040			\$ 216.57					
	11811	60x40 -1260				\$ 251.33				
	11532	50x30x5 -1640					\$ 292.93	\$ 292.93		
	12572	80x40x8-2290							\$ 437.58	
13	Lock bolt									
	13218	ø35 - 64								
14	Spacer disk									
	13290	WC 18 DU (ø20/ø36x1,5)		\$ 8.65						
15	Disk									
	10477	17 DIN 9021		\$ 2.88						
16	Securing nut									
	10478	Securing Nut GUA M16x2		\$ 11.53		\$ 11.53	\$ 11.53	\$ 11.53	\$ 11.53	
	14163	Hexacon nut M16 DIN 439			\$ 6.73					

Delivery only to our sales and delivery terms.
For literal mistakes we assume no liability.
We reserve the right to make design and price changes

PLEASE USE ARTICLE-NO. WHEN ORDERING!



SPARE PART LIST FOR TRANSPORT TROLLEYS TANDEM TYPE TL

valid from 01/2024