



GKS Lifting and Moving Solutions LLC

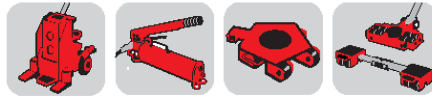


www.gksweb.com

## SPARE PARTS FOR JACKS TYPE V

Valid from October 2014

DESCRIPTION	POS.	Art.-no.	V5 (10181)	V10 (10182)	V15 (10183)	V20 (10184)	
<b>DICHTUNGEN / SEALS</b>							
Seal kit	(8 pcs.)	10104	X				
	(8 pcs.)	10105		X			
	(8 pcs.)	10106			X		
	(11 pcs.)	10107				X	
O-ring:	8x4	1	10108	X	X	X	
** O-ring:	14x3	2	10109			X	
O-ring:	22x3	3	10110	X	X	X	
O-Ring for air-vent screw 10x3			10302	X	X	X	
O-ring:	29x3	4	10111	X			
	44x3		10112		X		
	57x3		10113			X	
	64x3		10114				X
Copper-ring	14x20x1,5	5	10115	X	X	X	
	11x20x1	6	10116	X	X	X	
Button-type seal	12x4x8	7	10117	X	X	X	
Washer	20x35x9	8	10118	X			
	28x50x10		10119		X		
	63x48x12		10120			X	
	50x70x10,5		10121				X
(Fast stroke)	20x14x6,3	9	10122			X	
<b>HYDRAULIC PARTS</b>							
Hydraulic unit		10	10123	X			
			10124		X		
			10125			X	
			10126				X
Lifting piston complete		11	10127	X			
			10128		X		
			10129			X	
			10130				X
Guiding nut		12	10131	X			
			10132		X		
			10133			X	
			10134				X
(Fast stroke) Pressure piston complete	* ca./~115mm ca./~130mm	13	10135	X			
			10136	X			
			10137		X	X	X
			10138				X
(Fast stroke) ** (Fast stroke)	* ca./~130mm ca./~140mm	14	10693			X	
			10174	X			
			10139	X			
			10140		X	X	X
Thrust bolt complete		15	10141	X	X	X	
Cylinder complete (Fast stroke)		16	10142	X	X	X	
		18	10145			X	
Distance pipe		17	10143		X	X	
Distance ring (Fast stroke)		17.1	10144			X	
Distance ring (Fast stroke)		17.2	10954			X	
Valve complete		19	10146	X	X	X	
Filter-double-ply		19.1	14928	X	X	X	
O-Ring	17x1,6	19.2	14920	X	X	X	



GKS Lifting and Moving Solutions LLC



www.gksweb.com

## SPARE PARTS FOR JACKS TYPE V

Valid from October 2014

DESCRIPTION	POS.	Art.-no.	V5 (10181)	V10 (10182)	V15 (10183)	V20 (10184)
<b>OTHER PARTS OF JACKS</b>						
Housing incl. feet	20	10147	X			
		10148		X		
		10149			X	
		10150				X
Swivelling foot (pcs.)	21	10151	X			
		10152		X		
		10830			X	
		<sup>oo</sup> 10153			X	
Lifting toe	22	10154				X
		10155	X			
		10156		X		
		10157			X	
Slider	23	10158				X
		10159	X			
		10160		X		
		10161			X	
		10162				X
Plunger actuating block	24	10163	X	X	X	X
Little axles for actuating block	24.1	14891	X	X	X	X
Pump lever	25	10164	X	X	X	X
Air-vent screw+O-ring	26	10165	X	X	X	X
Discharging handle	27	10166	X	X	X	X
Rubber wheel with hub	28	10167	X			
		10168		X	X	
		10169				X
Screw for wheel	29	10170	X			
		10171		X	X	X
Quick release connector	30	10172	X	X	X	X
Screw connection	31	10173	X	X	X	X
Seat for swivelling foot	32	10416	X			
		10411		X		
		10692			X	
		10402				X
Swivel union is no longer required since year 2014						
Swivel union		<sup>^</sup> 11624	X	X	X	

(\* ) until serial-no. 6661

(\*\* ) until year 1995

(<sup>oo</sup>) until serial-no. 15079

(<sup>^</sup>) since year 2005

PARTS OF PUMP FOR MOD.		PV / PE	
T-joint+screw connection	10175	X	
T-joint	10176	X	
Hydr.coupling+protective hood	10177	X	
Protective hood	10178	X	
Hose+hydr.coupling with protective hood	2 m	10179	X
	3 m	11882	X
	4 m	11883	X
	6 m	11884	X

Production revisions are subject to change  
Prices are subjects to change without notice.

**Please use article-no. when ordering**



GKS Lifting and Moving Solutions LLC



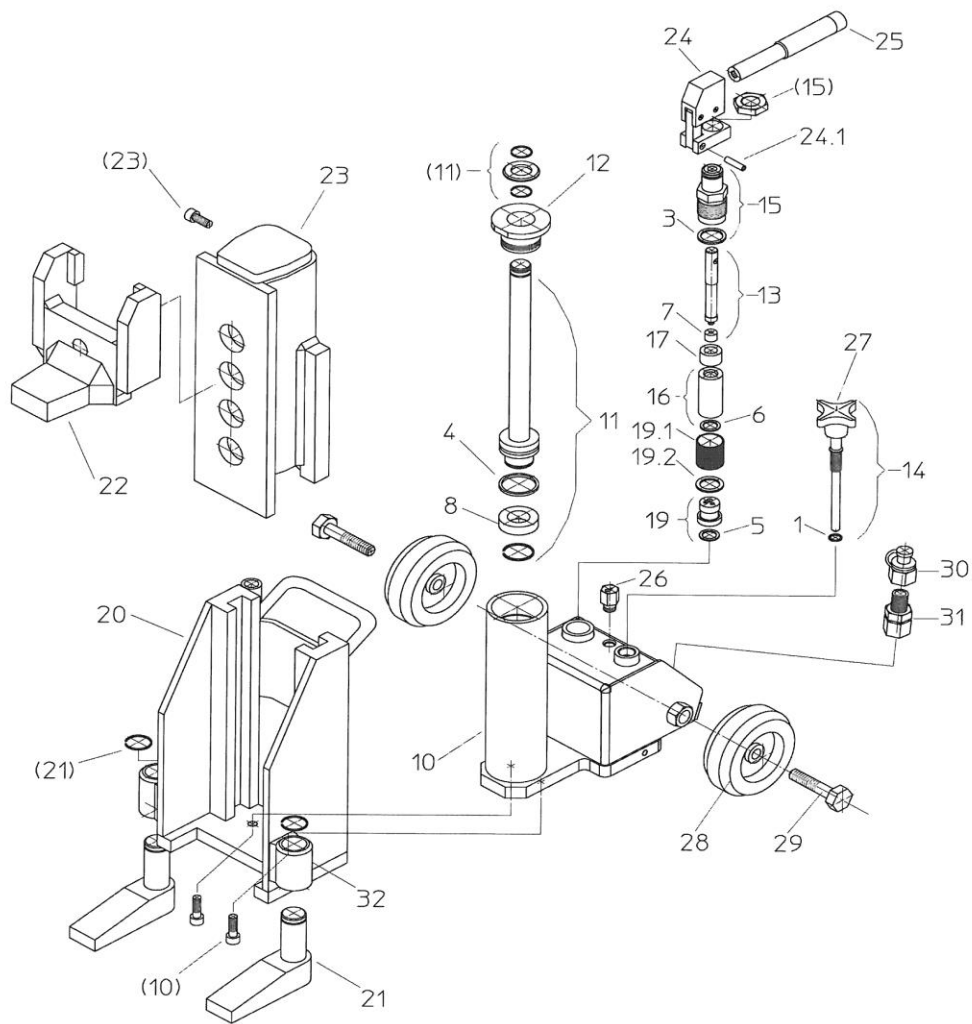
www.gksweb.com

## SPARE PARTS FOR JACKS TYPE V

Valid from October 2014

### ASSEMBLY OF JACKS TYPE V

( Example using jack type V10)



(...) Part marked with brackets is component of part named between brackets.



GKS Lifting and Moving Solutions LLC



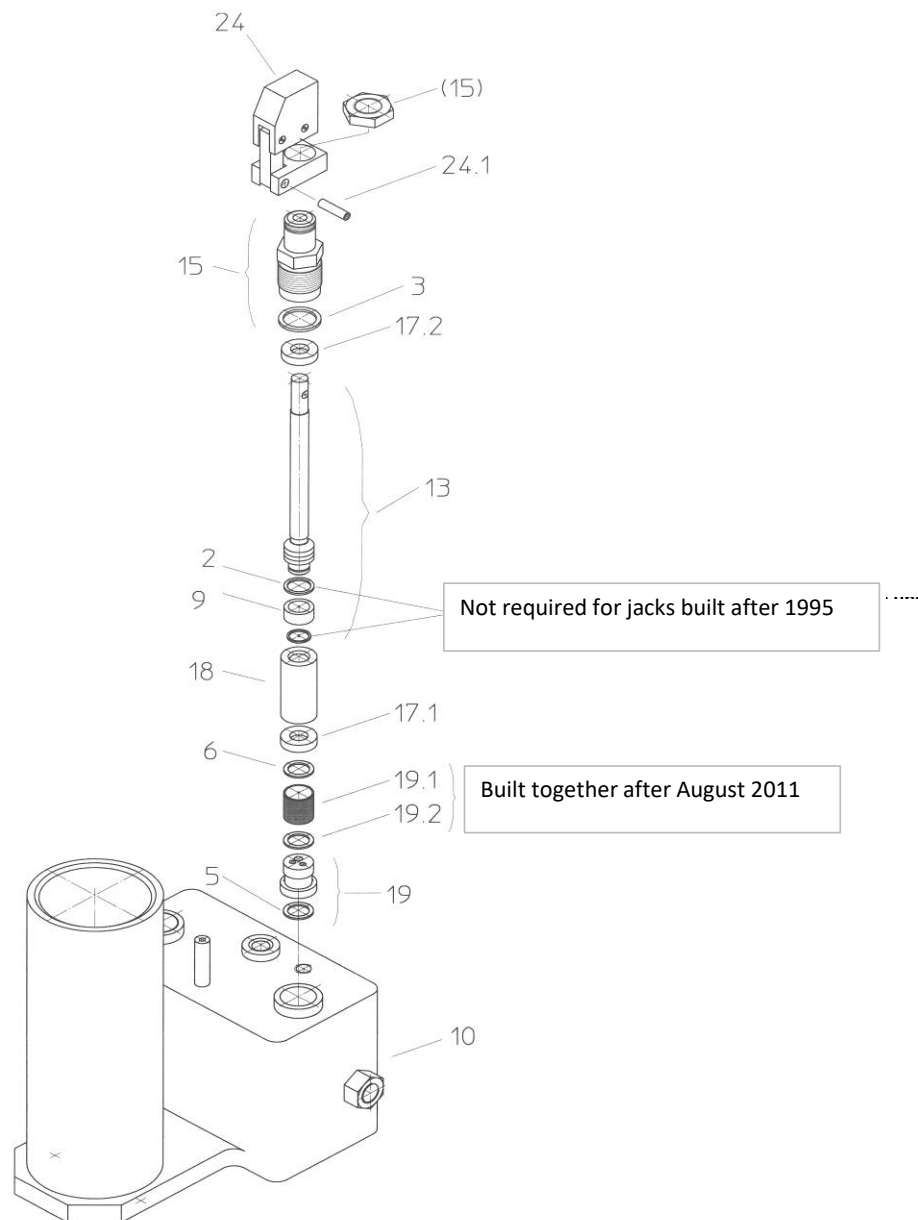
www.gksweb.com

## SPARE PARTS FOR JACKS TYPE V

Valid from October 2014

### **ASSEMBLY OF JACK TYPE V20 - FAST STROKE**

(Example using jack type V20 - fast stroke )



(...) Part marked with brackets is component of part named between brackets.