



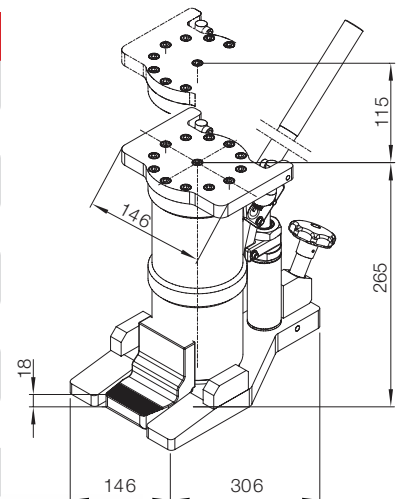
## Unilifter U6

### Features:

- Vertical use- works as a standard hydraulic toe jack
- Horizontal use- can jack machines away from walls
- An all-purpose, lightweight jack



Technical data	U6
Item number	1-13292
Full load capacity	13,000 lbs. / 60 kN (6 t)
Working pressure	7,542 psi / 520 bar
Minimum loading height using safety toe	0.7" / 18 mm
Lifting height	4.5" / 115 mm
Number of toe positions	-
Loading height using top plate	10.4" / 265 mm
Overall dimensions (L x W x H)	12 x 5.7 x 10.4" / 306 x 146 x 265 mm
Weight with oil	33 lbs. / 15 kg



Contents

Hydraulic  
Toe Jacks

Pumps

Transport Dollies

Rotating Dollies

ROBOTS

Rollers

Nickel  
Plated Equipment