



GKS Lifting and Moving Solutions LLC

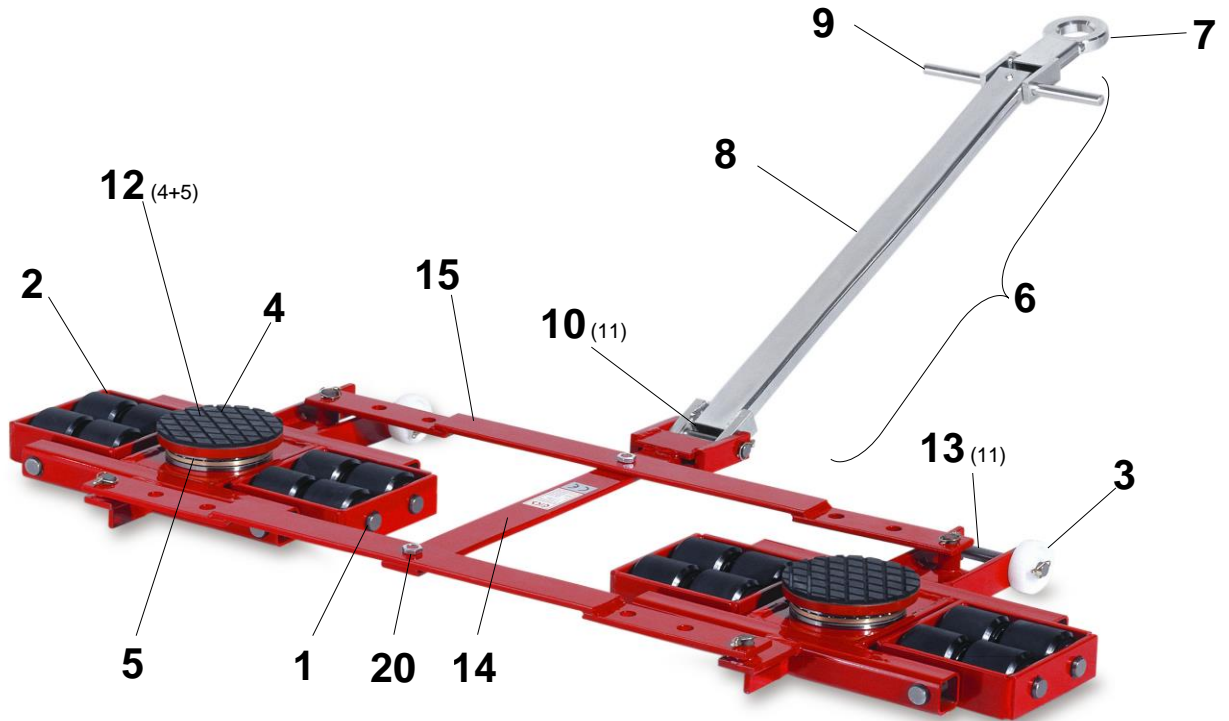


www.gksweb.com

SPARE PART LIST FOR TRANSPORT TROLLEYS TANDEM TYPE TL

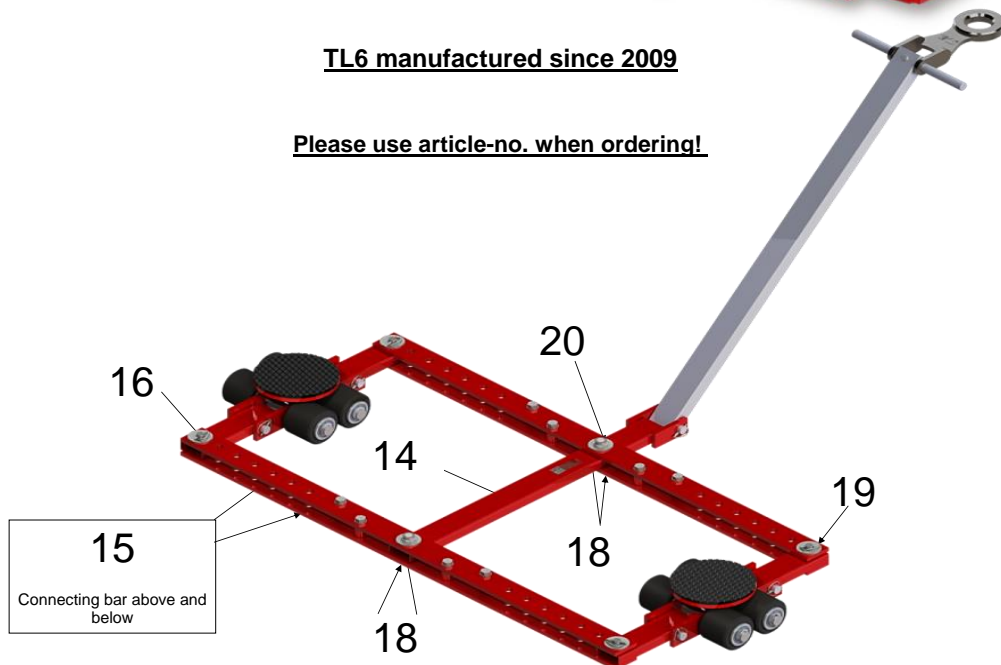
Valid from 10'14

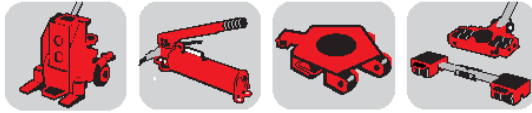
(e.g. transport trolley type TL12)



TL6 manufactured since 2009

Please use article-no. when ordering!





GKS Lifting and Moving Solutions LLC

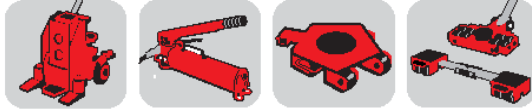


www.gksweb.com

SPARE PART LIST FOR TRANSPORT TROLLEYS TANDEM TYPE TL

Valid from 10'14

POS.	ART.-NR./NO.	DIM. in mm	TL6 10229 Since 2009	TL6 10229 Since 2009	TL12 10230	TL18 11807	TL20 11803	TL40 11148	TL60 12035
Axle (incl. circlips)									
1	10007	ø25-270	X	X					
	10002	ø25-211			X				
	11577	ø25-314				X			
	12449	ø35-135,5					X		
	10012	ø35-218,5						X	
	12063	ø35-320,5							X
Rollers									
2	10015	ø85x85 - ø25 Polyamid Black GKS-alperfekt®	X	X	X	X			
	10016	ø 85x85 - ø25 Steel GKS®-perfekt Stahl	X	X	X	X			
	11769	ø85x85 - ø25 Polyurethane Red GKS-alperfekt® PUR	X	X	X	X			
	10018	ø85x85 - ø25 Polyamid White GKS-alperfekt® premium	X	X	X	X			
	12007	ø140x85 - ø35 Polyurethane Red GKS®-perfekt PUR G					X	X	X
	10022	ø140x85 - ø35 Polyamid White GKS®-perfekt Premium G					X	X	X
Supporting Roller									
3	10025	ø75			X	X	X	X	
Rubber load pad									
4	10026	ø170	X	X	X	X	X		
	10027	ø250						X	X
Axial bearing (turnable)									
5	10028	70x50x14	X	X					
	10029	145x110x25			X				
	10030	170x130x30				X	X	X	
	10031	250x180x56							X
Handlebar complete (incl. handlebar and pulling eye)									
6	10760	1190	X	X					
	10034	1080			X	X			
	10036	1620					X	X	
	10037	1620							X
Pulling eye									
7	10042	ø101,6-213	X	X	X	X			
	10044	ø100-270					X	X	
	10045	ø100-270							X
Handlebar (without pulling eye)									
8	10759	950	X	X					
	10038	887			X	X			
	10040	1420					X	X	
	10041	1420							X
Handle for handlebar									
9	10056	ø20-300	X	X	X	X			
	10057	ø25-400					X	X	
	10468	ø35-400							X



GKS Lifting and Moving Solutions LLC



www.gksweb.com

SPARE PART LIST FOR TRANSPORT TROLLEYS TANDEM TYPE TL

Valid from 10'14

POS.	ART. NO.	DIM. in mm	TL6 10229 Since 2009	TL6 10229 Since 2009	TL12 10230	TL18 11807	TL20 11803	TL40 11148	TL60 12035
Axle handlebar incl. linch pin or with circlips									
10	10767	ø20-99	X	X					
	10904	ø20-140			X	X			
	10059	ø25-179					X	X	
	10471	ø35-180							X
Linch pin									
11	10050	4x27	X	X	X	X			
	10051	5x32					X	X	X
Rotating table complete (incl. rubber pad + axial bearing)									
12	10046	ø170	X	X					
	10047	ø170			X				
	10048	ø170				X	X	X	
	10768	ø250							X
Axle supporting roller incl. linch pin or with circlips									
13	10058	ø20-180			X	X		X	
	10906	ø20-211					X		
Centre bar									
14	10100	755	X						
	13295	755		X					
	10101	700			X				
	11809	1430				X			
	11417	1312					X	X	
	10464	1785							X
Connecting bar per pcs.									
15	10102	50x10 -1200	X						
	13296	60x10-1200		X					
	13215	Connecting bar below		X					
	10103	60x20 -1040			X				
	11811	60x40 -1260				X			
	11532	50x30x5 -1640					X	X	
	12572	80x40x8-2290							X
Lock bolt									
16	13218	ø35 - 64		X					
Spacer disk									
18	13290	WC 18 DU (ø20/ø36x1,5)		X					
Disk									
19	10477	17 DIN 9021		X					
Securing nut									
20	10478	GUA M16x2		X		X	X	X	X
	14163	6kt / hexacon nut M16 DIN 439			X				

Production revisions are subject to change.
Prices are subject to change without notice.