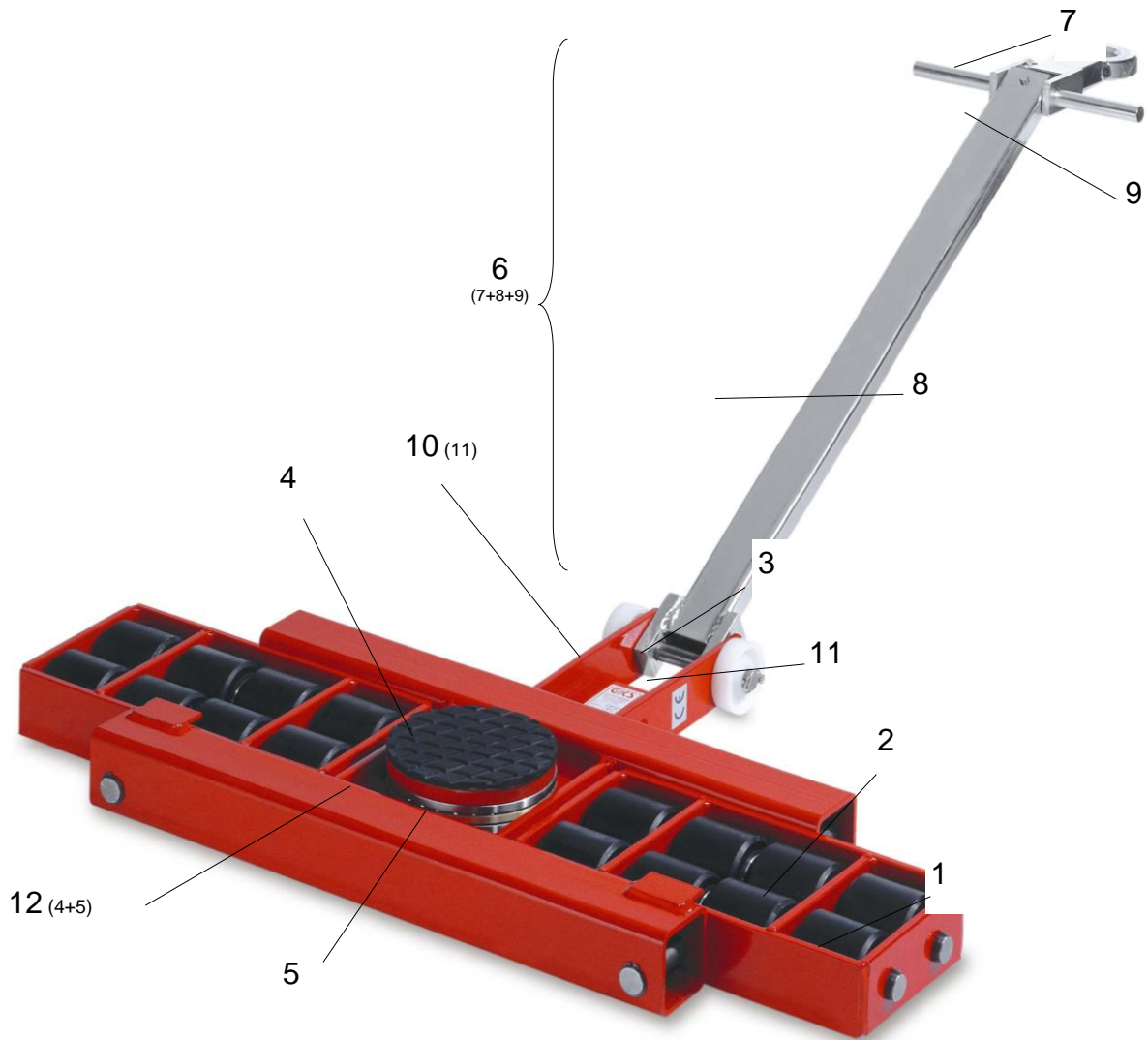




**Spare Parts List for L-Type Dollies**

Valid From October 2014

(e.g. transport trolley type L12)



PLEASE USE ARTICLE-NO. WHEN ORDERING!



GKS Lifting and Moving Solutions LLC



www.gksweb.com

**Spare Parts List for L-Type Dollies**

Valid From October 2014

POS.	ART.-NO.	DIM. in mm	L3	L6	L9	L10	L12	L18	L20	L25	L30	L40	L60
			10207	10209	11071	13549	10313	10216	11061	12142	11993	11771	10227
<b>Axle (incl. circlips)</b>													
1	10007	ø25-270	X										
	12449	ø35-135				X							
	10002	ø25-211		X									
	11577	ø25-314			X								
	10003	ø25-300 (unitl 2002)			X								
	10005	ø25-412					X	X					
	10004	ø25-390 (unitl 2002)					X						
	10012	ø35-218,5							X			X	
	10009	ø35-390 (unitl 2002)							X				
	12181	ø25-320								X			
	12063	ø35-320,5									X		
10011	ø35-305,5											X	
<b>Rollers</b>													
2	10015	ø85x85 - ø25 GKS-alperfekt® Black Rollers	X	X	X		X						
	10016	ø85x85 - ø25 GKS®-perfekt Stahl Steel Rollers	X	X	X		X						
	11769	ø85x85 - ø25 GKS-alperfekt® PUR Polyurethane Rollers	X	X	X		X	X		X			
	10018	ø85x85 - ø25 GKS-alperfekt® premium White Rollers	X	X	X		X	X		X			
	12007	ø140x85 - ø35 GKS®-perfekt PUR G Polyurethane Rollers							X		X	X	X
	10022	ø140x85 - ø35 GKS®-perfekt Premium G White Rollers				X			X		X	X	X
<b>Supporting roller</b>													
3	10025	ø75		X	X		X	X					
<b>Rubber load pad</b>													
4	10026	ø170	X	X	X	X	X	X					
	10027	ø250							X	X	X	X	
<b>Non-slip surface</b>													
	12430	ø340											X
<b>Axial bearing</b>													
5	10028	70x50x14	X										
	10029	145x110x25		X									
	10030	170x130x30			X	X	X	X					
	10031	250x180x56							X	X	X	X	
	10032	340x240x78											X



**Spare Parts List for L-Type Dollies**

Valid From October 2014

POS.	ART.-NO.	DIM. in mm	L3	L6	L9	L10	L12	L18	L20	L25	L30	L40	L60
			10207	10209	11071	13549	10313	10216	11061	12142	11993	11771	10227
<b>Handlebar complete (incl. handlebar and pulling eye)</b>													
6	10033	950	X										
	10034	1080		X	X		X						
	13205	1080						X					
	10036	1620				X			X	X	X	X	
	10037	1620											X
<b>Pulling eye</b>													
7	10042	ø101,6-213		X	X		X	X					
	10044	ø100-270				X			X	X	X	X	
	10045	ø100-270											X
<b>Handlebar (without pulling eye and handlebar)</b>													
8	10043	950	X										
	10038	887		X	X		X						
	13188	887						X					
	10040	1420				X			X	X	X	X	
	10041	1420											X
<b>Handle for handlebar</b>													
9	10056	ø20-300	X	X	X		X	X					
	10057	ø25-400				X			X	X	X	X	
	10468	ø35-400											X
<b>Axle handlebar incl. linch pin or with (x) circlips</b>													
10	10767	ø20-99	X										
	10058	ø20-180		X	X		X	X					
	10059	ø25-179				X			X	X	X	X	
	10766	ø35-180											X
<b>Linch pin</b>													
11	10050	4x27	X	X	X		X	X					
	10051	5x32				X			X	X	X	X	
<b>Rotating table complete (incl. rubber pad + axial bearing)</b>													
12	10046	ø 170	X										
	10047	ø 170		X									
	10048	ø 170			X		X	X					
	10049	ø 250				X			X	X	X	X	
	10578	ø 250										X	
	10769	ø 340											X

Production revisions are subject to change.  
Prices are subject to change without notice