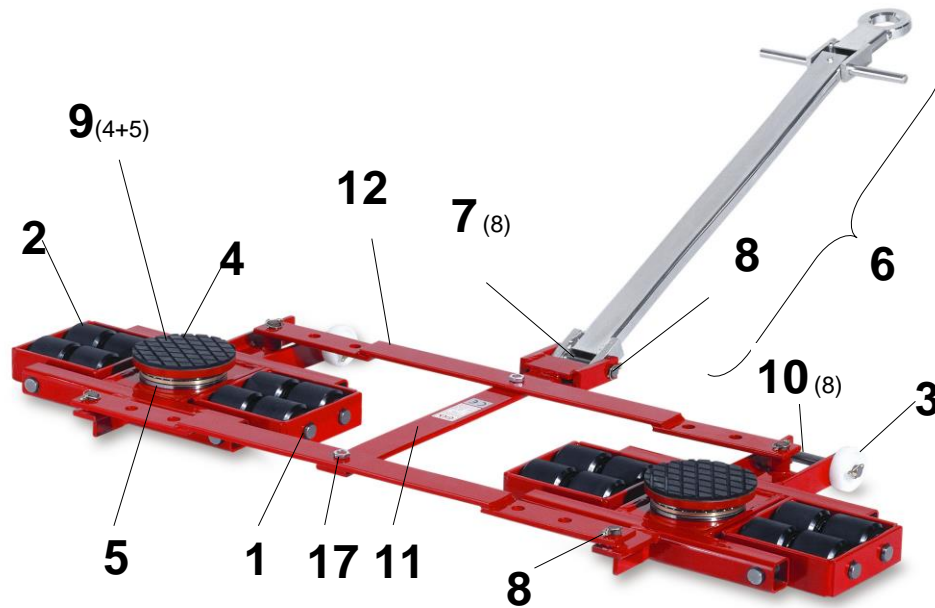




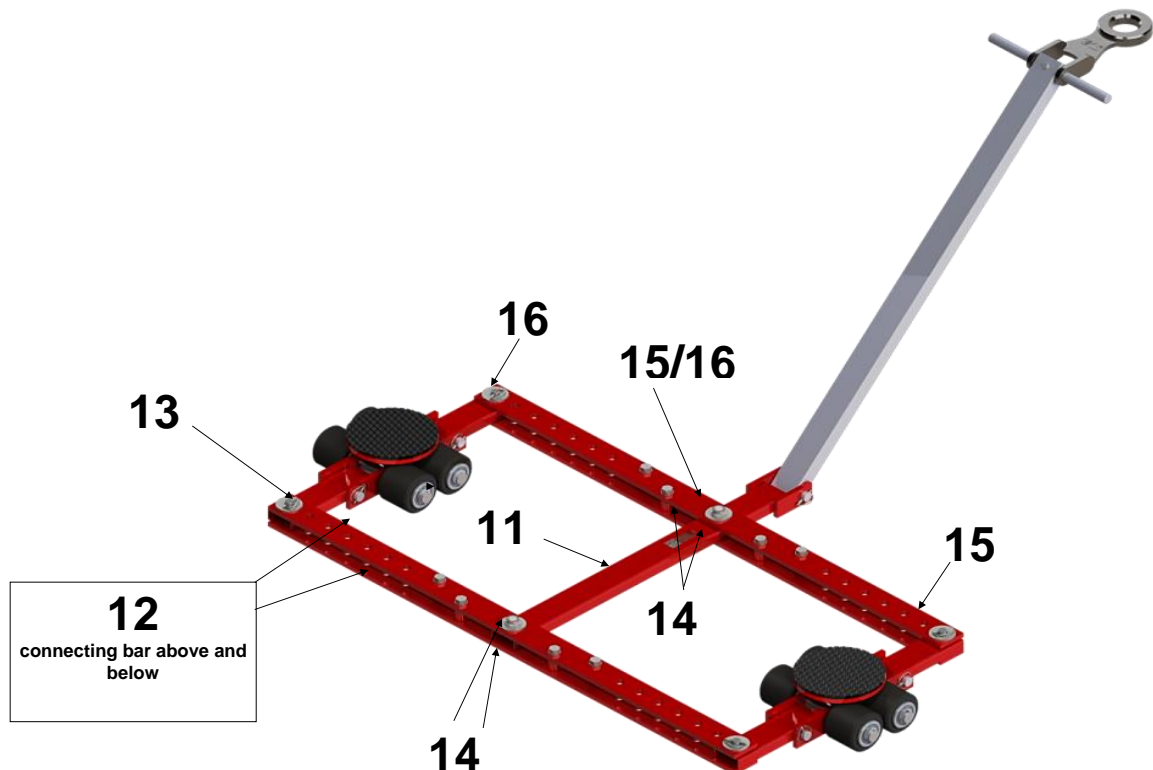
SPARE PART LIST FOR TRANSPORT TROLLEYS TANDEM TYPE TL

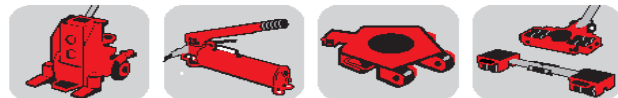
valid from 07'22

Transport trolley type TL12



Since the year of manufacture 2009





GKS Lifting and Moving Solutions LLC

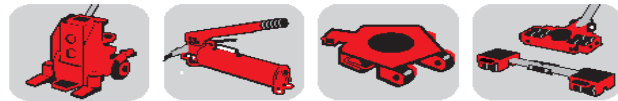


www.gksweb.com

SPARE PART LIST FOR TRANSPORT TROLLEYS TANDEM TYPE TL

valid from 07'22

POS.	NO.	DIM. in mm	TL6 10229 till year '09	TL6 10229 since year '09	TL12 10230	TL18 11807	TL20 11803	TL40 11148	TL60 12035
1	Axle (incl. circlips)								
	10007	ø25-270	\$ 40.82	\$ 40.82					
	10002	ø25-211			\$ 44.53				
	11577	ø25-314				\$ 45.62			
	12449	ø35-135,5					\$ 48.02		
	10012	ø35-218,5						\$ 74.22	
	12063	ø35-320,5							\$ 82.95
2	Wheel								
	10015	ø85x85 - ø25 Black GKS-alperfekt®	\$ 69.00	\$ 69.00	\$ 69.00	\$ 69.00			
	10016	ø 85x85 - ø25 Steel GKS@-perfekt® Stahl	\$ 134.00	\$ 134.00	\$ 134.00	\$ 134.00			
	11769	ø85x85 - ø25 Grey GKS-alperfekt® PUR	\$ 109.14	\$ 109.14	\$ 109.14	\$ 109.14			
	10018	ø85x85 - ø25 White GKS-alperfekt® premium	\$ 118.00	\$ 118.00	\$ 118.00	\$ 118.00			
	12007	ø140x85 - ø35 Polyurethane Grey GKS@-perfekt PUR G					\$ 338.33	\$ 338.33	\$ 338.33
	10022	ø140x85 - ø35 White GKS@-perfekt Premium G					\$ 337.00	\$ 337.00	\$ 337.00
3	Supporting roller								
	10025	ø75			\$ 15.72	\$ 15.72	\$ 15.72	\$ 15.72	
4	Rubber load pad								
	10026	ø170	\$ 28.81	\$ 28.81	\$ 28.81	\$ 28.81	\$ 28.81		
	10027	ø250						\$ 43.22	\$ 43.22
5	Axial bearing (turnable)								
	10028	70x50x14	\$ 36.02	\$ 36.02					
	10029	145x110x25			\$ 85.13				
	10030	170x130x30				\$ 130.97	\$ 130.97	\$ 130.97	
	10031	250x180x56							\$ 726.87
6	Handlebar complete (incl. handlebar and pulling eye)								
	10760	1190	\$ 199.92	\$ 199.92					
	13205	1080			\$ 340.52	\$ 340.52			
	10036	1620					\$ 726.87	\$ 726.87	
	10037	1620							\$ 805.80
7	Axle handlebar incl. linch pin or with circlips								
	10767	ø20-99	\$ 33.62	\$ 33.62					
	10904	ø20-140			\$ 40.82	\$ 40.82			
	10059	ø25-179					\$ 48.02	\$ 48.02	
	10471	ø35-180							\$ 53.77
8	Linch pin								
	10050	4x27	\$ 6.42	\$ 6.42	\$ 6.42	\$ 6.42			
	10051	5x32					\$ 8.99	\$ 8.99	\$ 8.99



GKS Lifting and Moving Solutions LLC



www.gksweb.com

SPARE PART LIST FOR TRANSPORT TROLLEYS TANDEM TYPE TL

valid from 07`22

POS.	NO.	DIM. in mm	TL6 10229 till year `09	TL6 10229 since year`09	TL12 10230	TL18 11807	TL20 11803	TL40 11148	TL60 12035	
9	Rotating table complete (incl. rubber pad + axial bearing)									
	10046	ø170	\$ 102.59	\$ 102.59						
	10047	ø170			\$ 229.19					
	10048	ø170				\$ 268.48	\$ 268.48	\$ 268.48		
	10768	ø250							\$ 2,004.25	
10	Axle supporting roller incl. lynch pin or with circlips									
	10058	ø20-180			\$ 50.42	\$ 50.42				
	10906	ø20-219					\$ 50.42	\$ 50.42		
11	Centre bar									
	10100	755	\$ 206.04							
	13295	755		\$ 220.46						
	10101	700			\$ 187.68					
	11809	1430				\$ 273.36				
	11417	1312					\$ 312.12	\$ 312.12		
	10464	1785							\$ 507.96	
12	Connecting bar per pcs.									
	10102	50x10 -1200	\$ 116.28							
	13296	60x10-1200		\$ 139.70						
	13215	Verb.stange unten / connecting bar below		\$ 214.20						
	10103	60x20 -1040			\$ 196.88					
	11811	60x40 -1260				\$ 228.48				
	11532	50x30x5 -1640					\$ 266.30	\$ 266.30		
	12572	80x40x8-2290							\$ 397.80	
13	Lock bolt									
	13218	ø35 - 64		35 €						
14	Spacer disk									
	13290	WC 18 DU (ø20/ø36x1,5)		\$ 7.86						
15	Disk									
	10477	17 DIN 9021		\$ 2.62						
16	Securing nut									
	10478	Nutmutter GUA M16x2		\$ 10.48		\$ 10.48	\$ 10.48	\$ 10.48	\$ 10.48	
	14163	6kt Mutter / hexacon nut M16 DIN 439			\$ 6.12					

Delivery only to our sales and delivery terms.
For literal mistakes we assume no liability.
We reserve the right to make design and price changes

PLEASE USE ARTICLE-NO. WHEN ORDERING!