



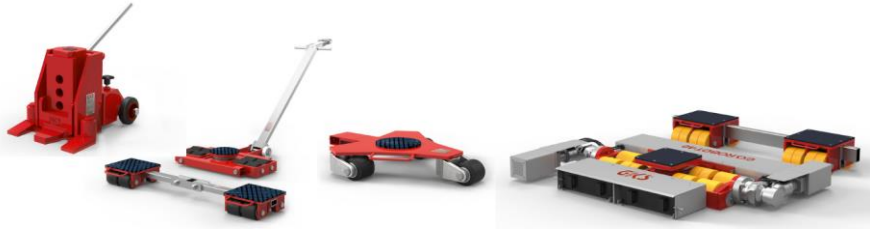
SPARE PART LIST FOR ROTATING TROLLEYS TYPE RL

Valid from 01/2024

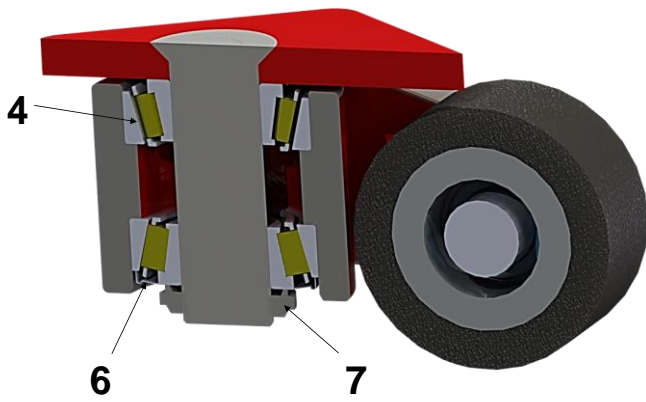
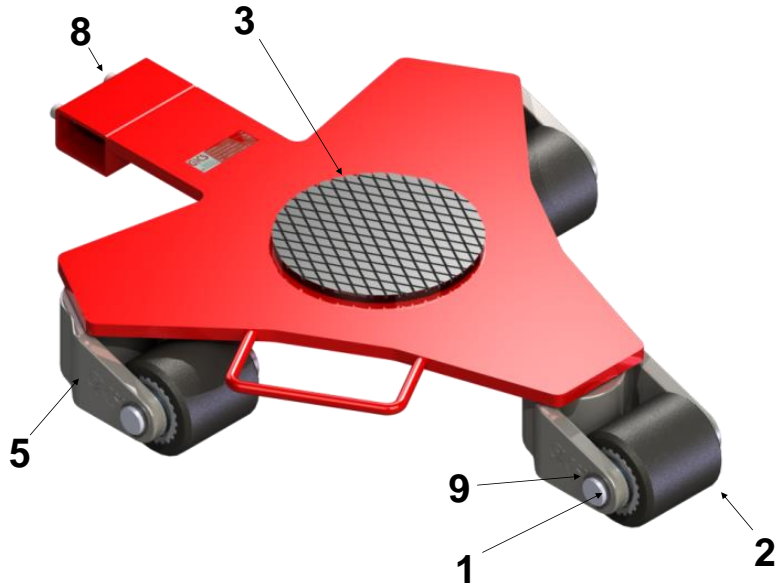
POS.	DESCRIPTION	ART.-NO.	DIM. in mm	Until 07/10		Since 07/10		RL8	RL12	
				RL1	RL2	RL4	RL5			RL6
1	Axle (incl. circlips)	10572	ø25x130 / ø1x5.1		\$ 36.98	\$ 36.98	\$ 36.98	\$ 36.98	\$ 36.98	
		13577	ø25x100 / ø1x4.0	\$ 49.72						
		13974	ø35x173 / ø1.4x6.8							\$ 67.79
2	Roller - GKS-perfekt® (white)	10014	ø75x66 / ø3x2.5	\$ 42.59						
	Roller - GKS-alperfekt® (black)	10015	ø85x85 / ø3.3x3.3		\$ 79.00	\$ 79.00				
	Roller - GKS-alperfekt® premium (white)	10018	ø85x85 / ø3.3x3.3		\$ 139.00	\$139.00	\$ 139.00	\$139.00		
	Roller/wheel - GKS®-perfekt (white)	16059	ø85x85 / ø3.3x3.3						\$165.67	
	Roller/wheel - GKS®-perfekt Standard S (black)	10022	ø140x85 / ø5.5x3.3							\$383.00
3	Rubber load pad	10026	ø170x8 / ø6.7x0.3	\$ 31.69	\$ 31.69					
		10027	ø250x8 / ø9.0x0.3			\$ 47.54	\$ 47.54	\$ 47.54	\$ 47.54	\$ 47.54
4	Taper roller bearing	10978	ø25xø47x15 / ø1x1.9x.5	\$ 37.72						
	Taper roller bearing	10810	ø30xø62x21 / ø1.2x2.4x.8		\$ 40.23	\$ 40.23	\$ 40.23	\$ 40.23	\$ 40.23	
	Taper roller bearing	13596	ø45xø100x27 / ø1.77x4.0x1.1							\$139.65
5	Swing arm (without comp. parts)	13578		\$249.16						
		10849			\$ 226.30	\$226.30	\$ 226.30	\$226.30	\$226.30	
		13972								\$262.87
6	Locking washer	13568		\$ 16.46						
	Locking washer (NILOS RING)	10521			\$ 19.21	\$ 19.21	\$ 19.21	\$ 19.21	\$ 19.21	
	Locking washer	13597								\$ 21.95
7	Locking nut	12122	M25x1,5	\$ 13.72						
	Locking nut	10476	M30x1,5		\$ 24.70	\$ 24.70	\$ 24.70	\$ 24.70	\$ 24.70	
	Locking nut	13970	M45x1,5							\$ 3.83
8	Cheese head screw	11558	M6x16	\$ 2.88						
	Cheese head screw	10707	M8x16		\$ 2.88	\$ 2.88	\$ 2.88	\$ 2.88	\$ 2.88	\$ 2.88
9	Locking ring (circlip)	10405	ø25x1,2 / ø 1.0x0.05	\$ 2.88	\$ 2.88	\$ 2.88	\$ 2.88	\$ 2.88	\$ 2.88	
	Locking ring	13970	ø35x1,2 / ø 1.4x0.05							\$ 3.83
1+2+ (2x4) +5+6 +7	Swing arm complete	13570		\$788.12						
		11862			\$ 518.63	\$518.63				
		13241					\$ 669.90	\$669.90		
		16066							\$751.54	
		16067								\$965.24
12	Coupling for handlebar	11508			\$ 201.70	\$201.70	\$ 201.70	\$201.70		
13	Connecting bar (with coupling for handlebar)	15022	ø25-1000 / ø1-39.4	\$223.30						
		10241	30x50x5-1500 / 1.2x2x59.1		\$ 259.31	\$259.31	\$ 259.31	\$259.31		
		11861	30x50x5-2000 / 1.2x2x78.7		\$ 336.15	\$336.15	\$ 336.15	\$336.15		
		13063	30x50x5-2500 / 1.2x2x98.4		\$ 403.38	\$403.38	\$ 403.38	\$403.38		
14.1	Handlebar complete (incl.handle/without pulling eye)	10033	950 / 37.4	\$122.45						
14.2	Handlebar complete (incl.handle and pulling eye)	13205	1080 / 42.5		\$ 374.57	\$374.57	\$ 374.57	\$374.57		
	Handlebar complete (incl. handle and pulling eye)	13379	1650 / 65		\$ 525.00	\$525.00	\$ 525.00	\$525.00		
15	Pulling eye	10042	ø101,6-213 / ø4 - 8.38		\$ 73.88	\$ 73.88	\$ 73.88	\$ 73.88		
16	Handle for handlebar	10056	ø20-300 / ø.78 - 11.81	\$ 32.91	\$ 32.91	\$ 32.91	\$ 32.91	\$ 32.91		
		10767	ø20-99 / ø.78 - 3.89	\$ 36.98						
17	Axle handlebar incl. lynch pin	10058	ø20-180 / ø.78 - 7.08		\$ 55.46	\$ 55.46	\$ 55.46	\$ 55.46		
		10050	4x27	\$ 7.99	\$ 7.99	\$ 7.99	\$ 7.99	\$ 7.99		
18	Lynch pin	10050	4x27	\$ 7.99	\$ 7.99	\$ 7.99	\$ 7.99	\$ 7.99		
19	Circlip Tool	9-10007		\$ 25.00	\$ 25.00	\$ 25.00	\$ 25.00	\$ 25.00	\$ 25.00	\$ 25.00

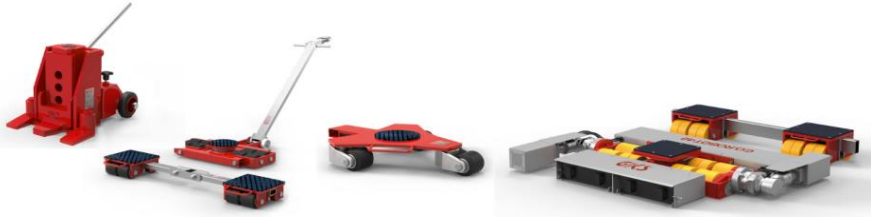
PLEASE USE ARTICLE-NO. WHEN ORDERING!

Delivery only to our sales and delivery terms.
Production revisions are subject to change.
Prices are subjects to change without notice.



SPARE PART LIST FOR ROTATING TROLLEYS TYPE RL
Valid from 01/2024

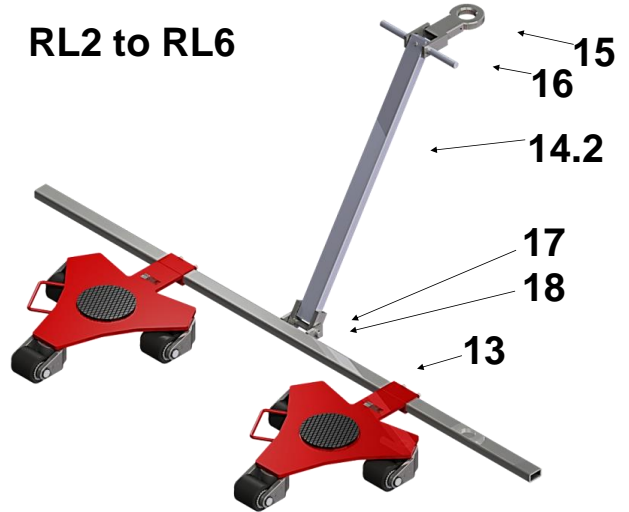
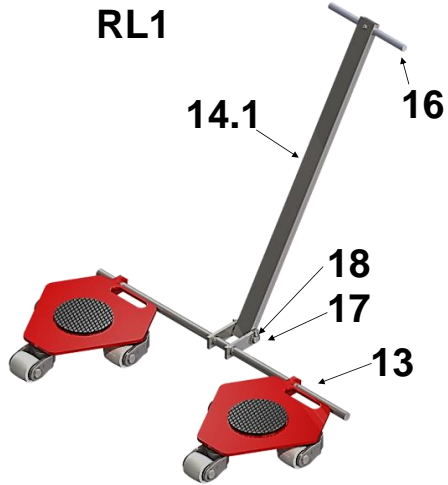




SPARE PART LIST FOR ROTATING TROLLEYS TYPE RL

Valid from 01/2024

2x RL-trolley with connecting bar and handlebar complete



1x RL- trolley with coupling and handlebar complete

RL2 to RL6

