



GKS Lifting and Moving Solutions LLC



www.gksweb.com

SPARE PART LIST FOR ROTATING TROLLEYS TYPE RL

Valid from 07/2018

POS.	DESCRIPTION	ART.-NO.	DIM. in mm	Valid from 07/2018							
				RL1	RL2	RL4	RL5	RL6	RL8	RL12	
				11456	10238	10240	10838	13439	13817	13818	
1	Axle (incl. circlips)	10572	ø25x130 / ø1x5.1		\$ 33.62	\$ 33.62	\$ 33.62	\$ 33.62	\$ 33.62		
		13577	ø25x100 / ø1x4.0	\$ 45.20							
		13974	ø35x173 / ø1.4x6.8								\$ 61.63
	Roller - GKS-perfekt® (white)	10014	ø75x66 / ø3x2.5	\$ 38.72							
	Roller - GKS-alperfekt® (black)	10015	ø85x85 / ø3.3x3.3		\$ 69.00	\$ 69.00					
	Roller - GKS-alperfekt® premium (white)	10018	ø85x85 / ø3.3x3.3		\$ 118.00	\$ 118.00	\$ 118.00	\$ 118.00			
	Rolle/wheel - GKS®-perfekt (white)	16059	ø85x85 / ø3.3x3.3						\$ 150.61		
	Rolle/wheel - GKS®-perfekt Standard S (black)	10022	ø140x85 / ø5.5x3.3								\$ 337.00
3	Rubber load pad	10026	ø170x8 / ø6.7x0.3	\$ 28.81	\$ 28.81						
		10027	ø250x8 / ø9.0x0.3			\$ 43.22	\$ 43.22	\$ 43.22	\$ 43.22	\$ 43.22	\$ 43.22
	Taper roller bearing	10978	ø25xø47x15 / ø1x1.9x.5	\$ 34.29							
	Taper roller bearing	10810	ø30xø62x21 / ø1.2x2.4x.8		\$ 36.57	\$ 36.57	\$ 36.57	\$ 36.57	\$ 36.57	\$ 36.57	
	Taper roller bearing	13596	ø45xø100x27 / ø1.77x4.0x1.1								\$ 126.95
5	Swing arm (without comp. parts)	13578		\$ 226.51							
		10849			\$ 205.73	\$ 205.73	\$ 205.73	\$ 205.73	\$ 205.73	\$ 205.73	
		13972									\$ 238.97
6	Locking washer	13568		\$ 14.96							
		10521			\$ 17.46	\$ 17.46	\$ 17.46	\$ 17.46	\$ 17.46	\$ 17.46	
		13597									\$ 19.95
7	Locking nut	12122	M25x1,5	\$ 12.47							
		10476	M30x1,5		\$ 22.45	\$ 22.45	\$ 22.45	\$ 22.45	\$ 22.45	\$ 22.45	
		13970	M45x1,5								\$ 3.48
8	Cheese head screw	11558	M6x16	\$ 2.62							
		10707	M8x16		\$ 2.62	\$ 2.62	\$ 2.62	\$ 2.62	\$ 2.62	\$ 2.62	\$ 2.62
9	Locking ring	10405	ø25x1,2 / ø 1.0x0.05	\$ 2.62	\$ 2.62	\$ 2.62	\$ 2.62	\$ 2.62	\$ 2.62	\$ 2.62	
		13970	ø35x1,2 / ø 1.4x0.05								\$ 3.48
1+2+ (2x4) +5+6 +7	Swing arm complete	13570		\$ 716.47							
		11862			\$ 471.48	\$ 471.48					
		13241					\$ 609.00	\$ 609.00			
		16066							\$ 683.22		
		16067									\$ 877.49
12	Coupling for handlebar	11508			\$ 183.36	\$ 183.36	\$ 183.36	\$ 183.36			
13	Connecting bar (with coupling for handlebar)	15022	ø25-1000 / ø1-39.4	\$ 203.00							
		10241	30x50x5-1500 / 1.2x2x59.1		\$ 235.74	\$ 235.74	\$ 235.74	\$ 235.74	\$ 235.74	\$ 235.74	
		11861	30x50x5-2000 / 1.2x2x78.7		\$ 305.59	\$ 305.59	\$ 305.59	\$ 305.59	\$ 305.59	\$ 305.59	
		13063	30x50x5-2500 / 1.2x2x98.4		\$ 366.71	\$ 366.71	\$ 366.71	\$ 366.71	\$ 366.71	\$ 366.71	
14.1	Handlebar complete (incl.handle/without pulling eye)	10033	950 / 37.4	\$ 111.32							
14.2	Handlebar complete (incl.handle and pulling eye)	13205	1080 / 42.5		\$ 340.52	\$ 340.52	\$ 340.52	\$ 340.20			
15	Pulling eye	10042	ø101,6-213 / ø4 - 8.38		\$ 67.16	\$ 67.16	\$ 67.16	\$ 67.16	\$ 67.16		
16	Handle for handlebar	10056	ø20-300 / ø.78 - 11.81	\$ 29.92	\$ 29.92	\$ 29.92	\$ 29.92	\$ 29.92	\$ 29.92		
17	Axle handlebar incl. lynch pin	10767	ø20-99 / ø.78 - 3.89	\$ 33.62							
		10058	ø20-180 / ø.78 - 7.08		\$ 50.42	\$ 50.42	\$ 50.42	\$ 50.42	\$ 50.42		
18	Lynch pin	10050	4x27	\$ 7.26	\$ 7.26	\$ 7.26	\$ 7.26	\$ 7.26	\$ 7.26		
19	Circlip Tool	9-10007		\$ 25.00	\$ 25.00	\$ 25.00	\$ 25.00	\$ 25.00	\$ 25.00	\$ 25.00	

PLEASE USE ARTICLE-NO. WHEN ORDERING!

Delivery only to our sales and delivery terms.

Production revisions are subject to change.

Prices are subjects to change without notice.



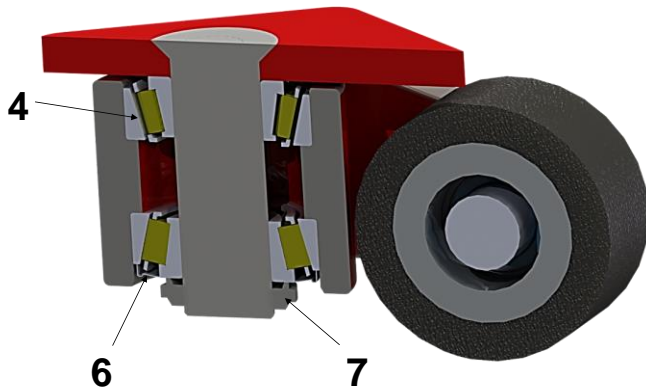
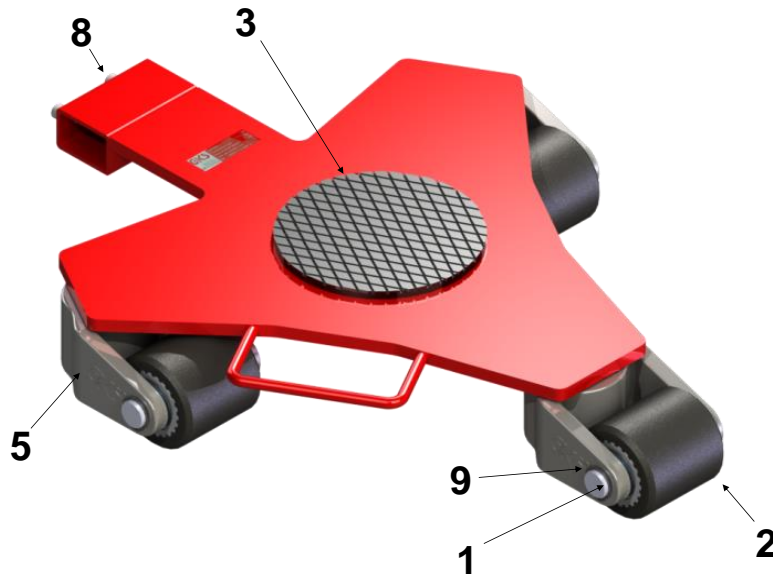
GKS Lifting and Moving Solutions LLC



SPARE PART LIST FOR ROTATING TROLLEYS TYPE RL

www.gksweb.com

Valid from 07/2018





GKS Lifting and Moving Solutions LLC

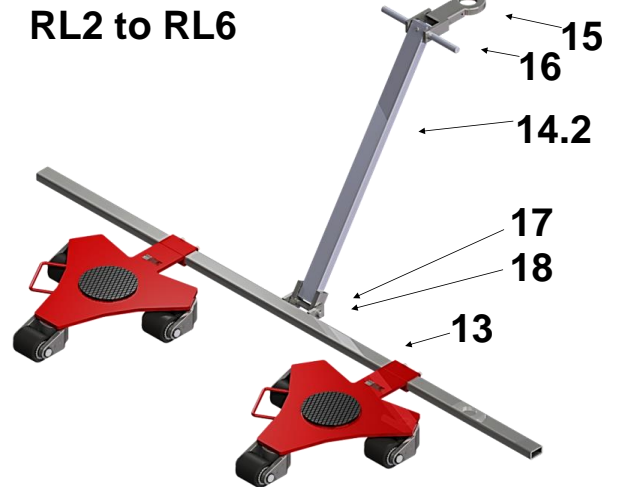
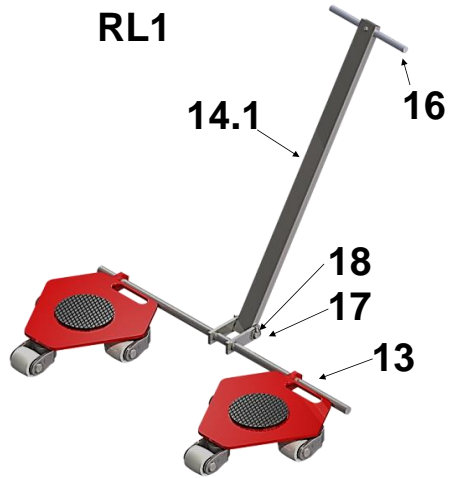


SPARE PART LIST FOR ROTATING TROLLEYS TYPE RL

www.gksweb.com

Valid from 07/2018

2x RL-trolley with connecting bar and handlebar compl.



1x RL- trolley with coupling and handlebar compl.

RL2 to RL6

