

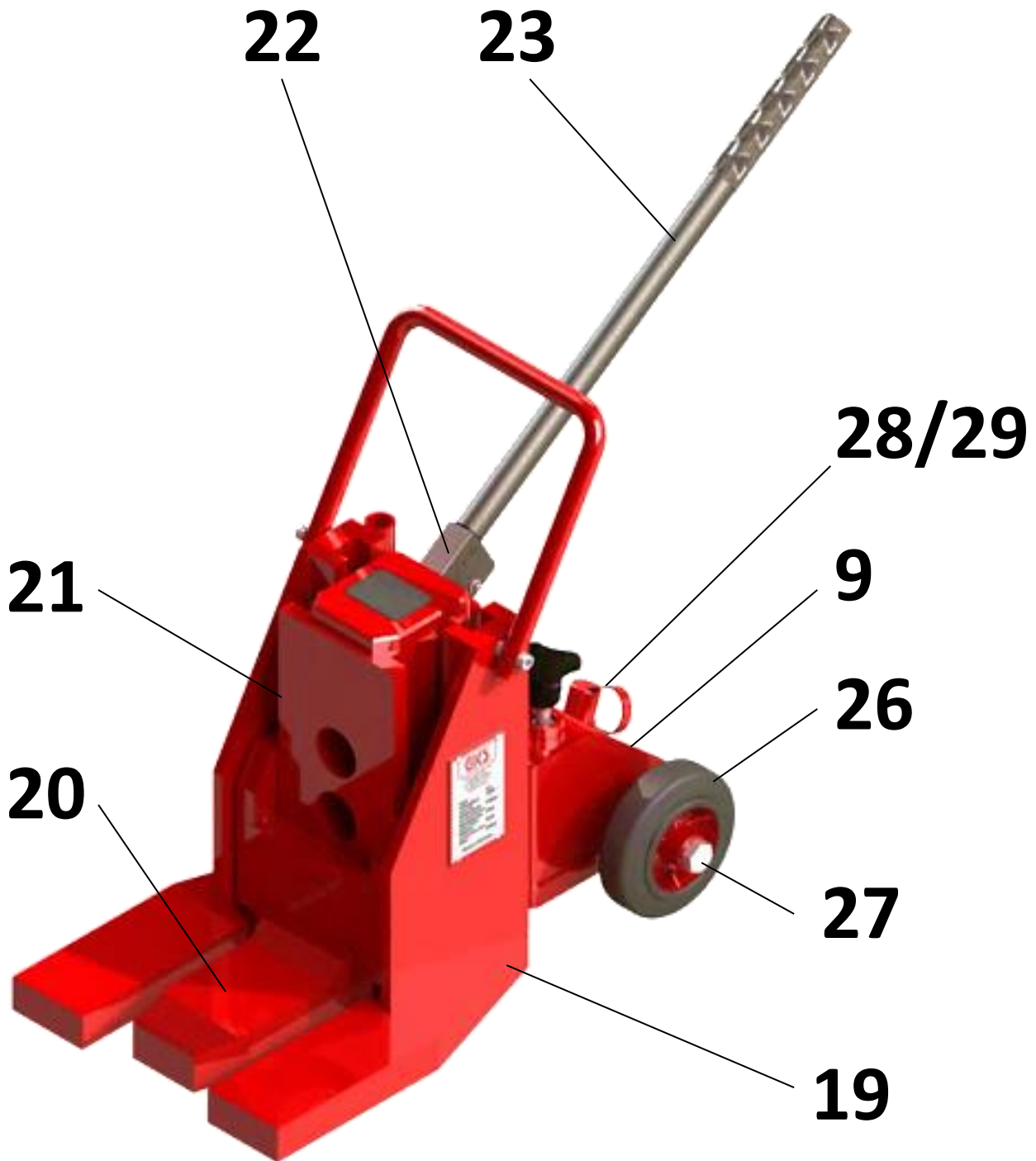
GKS Lifting and Moving Solutions LLC

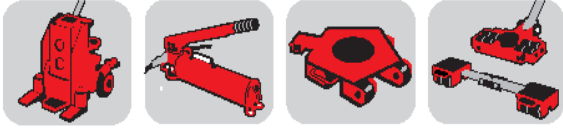


www.gksweb.com

SPARE PARTS FOR JACKS TYPE G

Valid from 1'2022





GKS Lifting and Moving Solutions LLC

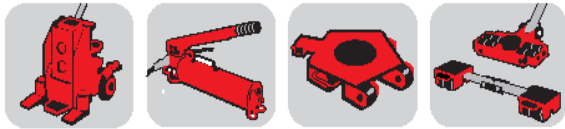


www.gksweb.com

SPARE PARTS FOR JACKS TYPE G

Valid from 1'2022

DESCRIPTION	POS.	ART. no.	G5 (10189)	G10 (12378)
SEAL KIT				
Seal kit (8Stk./pcs.)		10104	\$38.42	
		10105		\$40.82
SEALS				
O – ring ø 8x4	1	10108	\$2.06	\$2.06
O – ring ø22x3	2	10110	x	x
O – ring ø10x3	3	10302	x	x
O – ring ø29x3	4	10111	x	
O – ring ø44x3		10112		x
Copper-ring ø14xø20x1.5	5	10115	\$2.62	\$2.62
Copper-ring ø11xø20x1	6	10116	\$2.62	\$2.62
Button-type seal 12x4x8	7	10117	13.74	\$13.74
Lippenring / washer ø20xø35x9	8	10118	\$18.34	
Lippenring / washer ø28xø50x10		10119		\$20.95
HYDRAULIC PARTS				
Hydraulic unit	9	10123	\$951.70	
		10124		\$1455.93
Lifting piston compl.	10	10127	\$117.87	
		10128		\$146.25
Guiding nut	11	10131	\$50.42	
		10132		\$56.75
Pressure piston complete	12	10136	\$48.02	
		10137		\$52.82
Drain screw compl.	13	10139	\$48.02	
		10140		\$50.42
Thrust bolt compl.	14	10141	\$52.39	\$52.39
Cylinder compl.	15	10142	\$38.42	\$38.42
Valve complete	16	10146	\$87.31	\$87.31
Filter-double-ply	17	14928	x	x
O-ring ø17x1.6	18	14920	x	x



GKS Lifting and Moving Solutions LLC



www.gksweb.com

SPARE PARTS FOR JACKS TYPE G

Valid from 1'2022

DESCRIPTION	POS.	ART. no.	G5 (10189)	G10 (12378)
Additional Parts				
Housing	19	10836	\$562.65	
		13014		\$647.90
Lifting toe	20	10481	\$324.50	
		12619		\$401.50
Slider	21	10831	\$377.30	
		12613		\$421.30
Plunger actuating block	22	10163	\$98.23	\$98.23
Pump lever	23	10164	\$69.85	\$69.85
Air-vent screw+o-ring	24	10165	\$23.57	\$23.57
Discharging handle	25	10166	10139 / 40	10139 / 40
Rubber wheel with hub	26	11297	\$23.57	
		10168		\$31.21
Screw for wheel	27	11763	\$2.75	
		10171		\$7.86
Quick release connector	28	10172	\$80.76	\$80.76
Screw connection	29	10173	\$18.34	\$18.34
Swivel union is no longer required since 2014				
Swivel union		11624	\$36.02	\$36.02

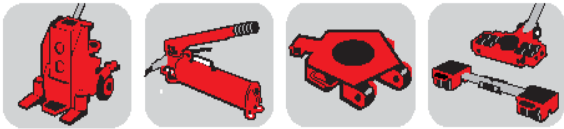
Delivery only to our sales and delivery terms.

We are not liable for printing errors.

Production revisions are subjects to change.

Prices are subjects to change without notice.

Please use article-no. when ordering.



GKS Lifting and Moving Solutions LLC



www.gksweb.com

SPARE PARTS FOR JACKS TYPE G

Valid from 1'2022

