

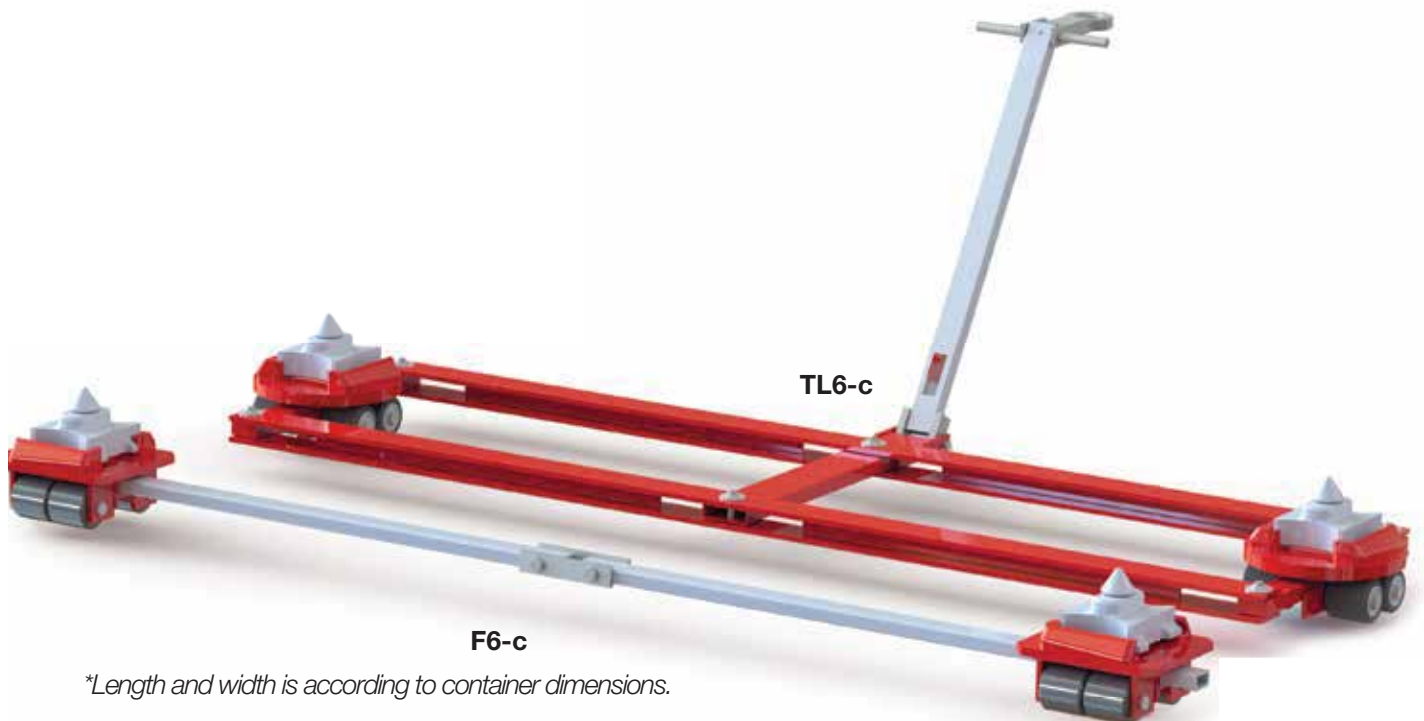
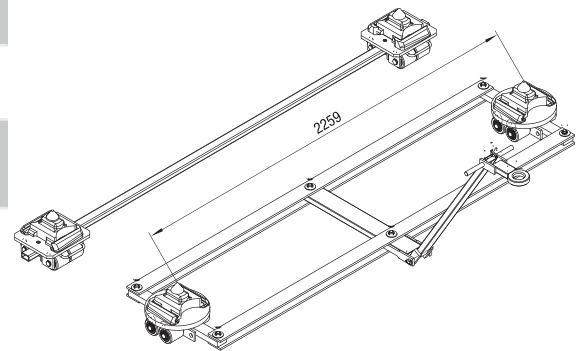


Container Dollies F6-c / TL6-c

- Features:**
- Features special twist locks to secure ISO containers to the dolly
 - Safer than using two forklifts
 - Connecting bars to increase load stability
 - Durable, non-marking rollers



Technical data	F6-c	TL6-c
Item number	5-13642	5-13643
Loading height / number of wheels (85 x 85 mm)	7" / 8 176 mm / 8	7" / 8 176 mm / 8
Overall dimensions (L x W)	12 x 102.8" / 304 x 2610 mm	24 x 89" / 610 x 2259 mm
Tare weight	111 lbs./ 50 kg	167 lbs./ 75 kg
Load Capacity	26,400 lbs. / 120 kN (12 t)	



**Length and width is according to container dimensions.*

- Contents
- Hydraulic
Toe Jacks
- Pumps
- Transport Dollies
- Rotating Dollies
- ROBOTS
- Rollers
- Nickel
Plated Equipment