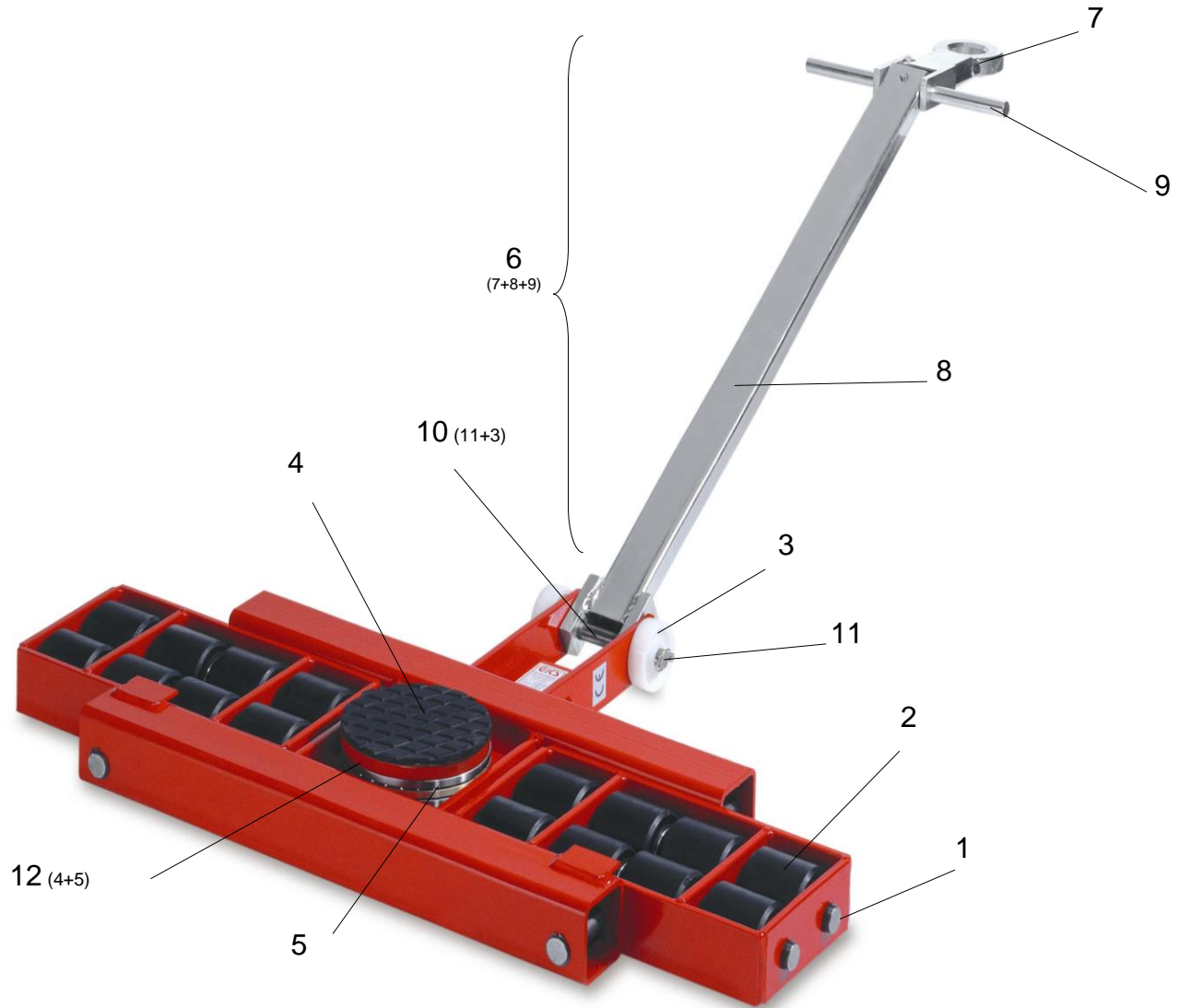


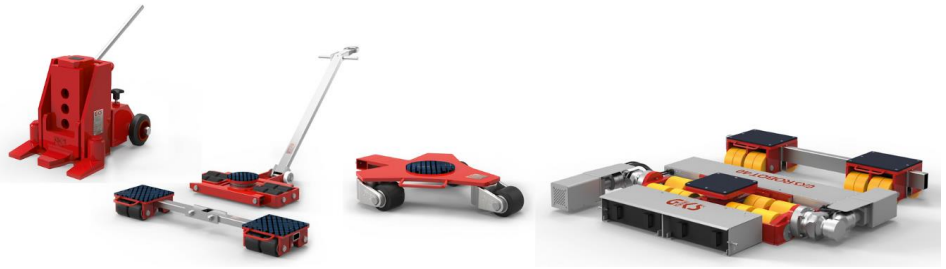
SPARE PART LIST FOR TRANSPORT TROLLEYS TYPE L

Valid from 1/2024

Example transport trolley type L12



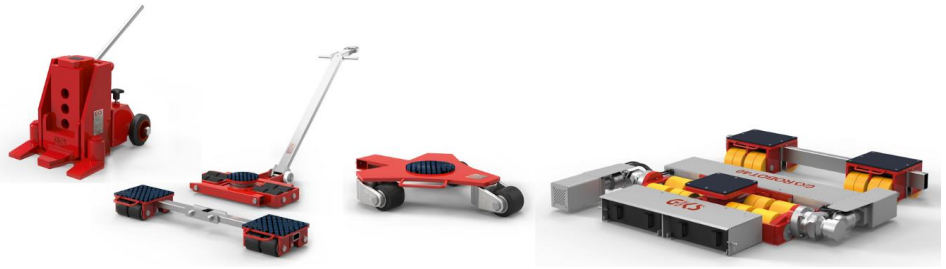
PLEASE USE ARTICLE-NO. WHEN ORDERING



SPARE PART LIST FOR TRANSPORT TROLLEYS TYPE L

Valid from 1/2024

POS.	ART.-NO.	DIM. in mm	L 2.5	L3	L6	L9	L10	L12	L18	L20	L30	L40	L60
			10205	10207	10209	11071	13549	10313	10216	11061	11993	11771	10227
1	Axle (incl. circlips)												
	10006	ø25-233	\$ 29.95										
	10007	ø25-270		\$ 44.90									
	12449	ø35-135					\$ 52.82						
	10002	ø25-211			\$ 48.98								
	11577	ø25-314				\$ 50.18							
	10003	ø25-300 (until 2002)				\$ 54.75							
	10005	ø25-412						\$ 98.44	\$ 98.44				
	10004	ø25-390 (until 2002)						\$ 64.83					
	10012	ø35-218,5								\$ 81.64		\$ 81.64	
	10009	ø35-390 (until 2002)								\$ 86.44			
	12181	ø25-320											
	12063	ø35-320.5									\$ 91.25		
10011	ø35-305.5											\$ 86.44	
2	Roller												
	10014	ø75x66 - ø25 GKS-alperfekt® Polyamid white	\$ 42.59										
	10015	ø85x85 - ø25 GKS-alperfekt® Polyamid black		\$ 79.00	\$ 79.00	\$ 79.00		\$ 79.00					
	10016	ø85x85 - ø25 GKS®-perfekt steel Steel		\$ 168.00	\$ 168.00	\$168.00		\$168.00					
	11769	ø85x85 - ø25 GKS-alperfekt® PUR Polyurethane gray		\$ 120.05	\$ 120.05	\$120.05		\$120.05	\$120.05				
	10018	ø85x85 - ø25 GKS-alperfekt® premium Polyamid white		\$ 139.00	\$ 139.00	\$139.00		\$139.00	\$139.00				
	12007	ø140x85 - ø35 GKS®-perfekt PUR G Polyurethane gray									\$ 372.16	\$ 372.16	\$ 372.16
10022	ø140x85 - ø35 GKS®-perfekt Premium G Polyamid white						\$ 383.00			\$ 383.00	\$ 383.00	\$ 383.00	\$ 383.00
3	Supporting roller												
	10025	ø75			\$ 17.29	\$ 17.29		\$ 17.29	\$ 17.29	\$ 17.29	\$ 17.29	\$ 17.29	\$ 17.29
4	Rubber load pad												
	10026	ø170	\$ 31.69	\$ 31.69	\$ 31.69	\$ 31.69	\$ 31.69	\$ 31.69	\$ 31.69				
	10027	ø250								\$ 47.54	\$ 47.54	\$ 47.54	
5	Axial bearing												
	10028	70x50x14	\$ 39.62	\$ 39.62									
	10029	145x110x25			\$ 93.64								
	10030	170x130x30				\$144.07	\$ 144.07	\$144.07	\$144.07				
	10031	250x180x56								\$ 799.56	\$ 799.56	\$ 799.56	
10032	340x240x78											\$1,808.83	



SPARE PART LIST FOR TRANSPORT TROLLEYS TYPE L

Valid from 1/2024

POS.	ART.-NO.	DIM. in mm	L 2.5	L3	L6	L9	L10	L12	L18	L20	L30	L40	L60
			10205	10207	10209	11071	13549	10313	10216	11061	11993	11771	10227
Handlebar complete (incl. handlebar and pulling eye)													
6	10033	950	\$ 122.45	\$ 122.45									
	13205	1080			\$ 374.57	\$374.57		\$374.57	\$374.57				
	10036	1620					\$ 799.56			\$ 799.56	\$ 799.56	\$ 799.56	
	10037	1620											\$ 775.97
	13379	1650			\$ 525.00	\$525.00	\$ 525.00	\$525.00	\$525.00				
Pulling eye													
7	10042	∅101.6-213			\$ 73.88	\$ 73.88		\$ 73.88	\$ 73.88				
	10044	∅100-270					\$ 159.72			\$ 159.72	\$ 159.72	\$ 159.72	
	10045	∅100-270											\$ 223.04
Handlebar (without handlebar and pulling eye)													
8	10043	990	\$ 93.84	\$ 93.84									
	13188	887			\$ 230.66	\$230.66		\$230.66	\$230.66				
	10040	1420					\$ 548.59			\$ 548.59	\$ 548.59	\$ 548.59	
	10041	1420											\$ 561.68
Handle for handlebar													
9	10056	∅20-300	\$ 32.91	\$ 32.91	\$ 32.91	\$ 32.91		\$ 32.91	\$ 32.91				
	10057	∅25-400					\$ 32.69			\$ 32.69	\$ 32.69	\$ 32.69	
	10468	∅35-400											\$ 37.75
Axle handlebar incl. linch pin/circlips													
10	10767	∅20-99	\$ 36.98	\$ 36.98									
	10058	∅20-180			\$ 55.46	\$ 55.46		\$ 55.46	\$ 55.46				
	10059	∅25-179					\$ 52.82			\$ 52.82	\$ 52.82	\$ 52.82	
	10766	∅35-180											\$ 41.14
Linch pin													
11	10050	4x27	\$ 7.99	\$ 7.99	\$ 7.99	\$ 7.99		\$ 7.99	\$ 7.99				
	10051	5x32					\$ 9.99			\$ 9.99	\$ 9.99	\$ 9.99	
Rotating table complete (incl. rubber pad + axial bearing)													
12	10544	∅ 170	\$ 91.43										
	10046	∅ 170		\$ 112.85									
	10047	∅ 170			\$ 252.11								
	10048	∅ 170				\$295.33		\$295.33	\$295.33				
	10049	∅ 250					\$1,291.79			\$1,291.79	\$1,291.79	until 2007 \$1,291.79	
	10578	∅ 250										After 2007 \$1,060.81	
	10769	∅ 340											\$1,260.46

Delivery only to our sales and delivery terms.
 We assume no liability for printing errors.
 Production revisions are subject to change.
 Prices are subject to change without notice.