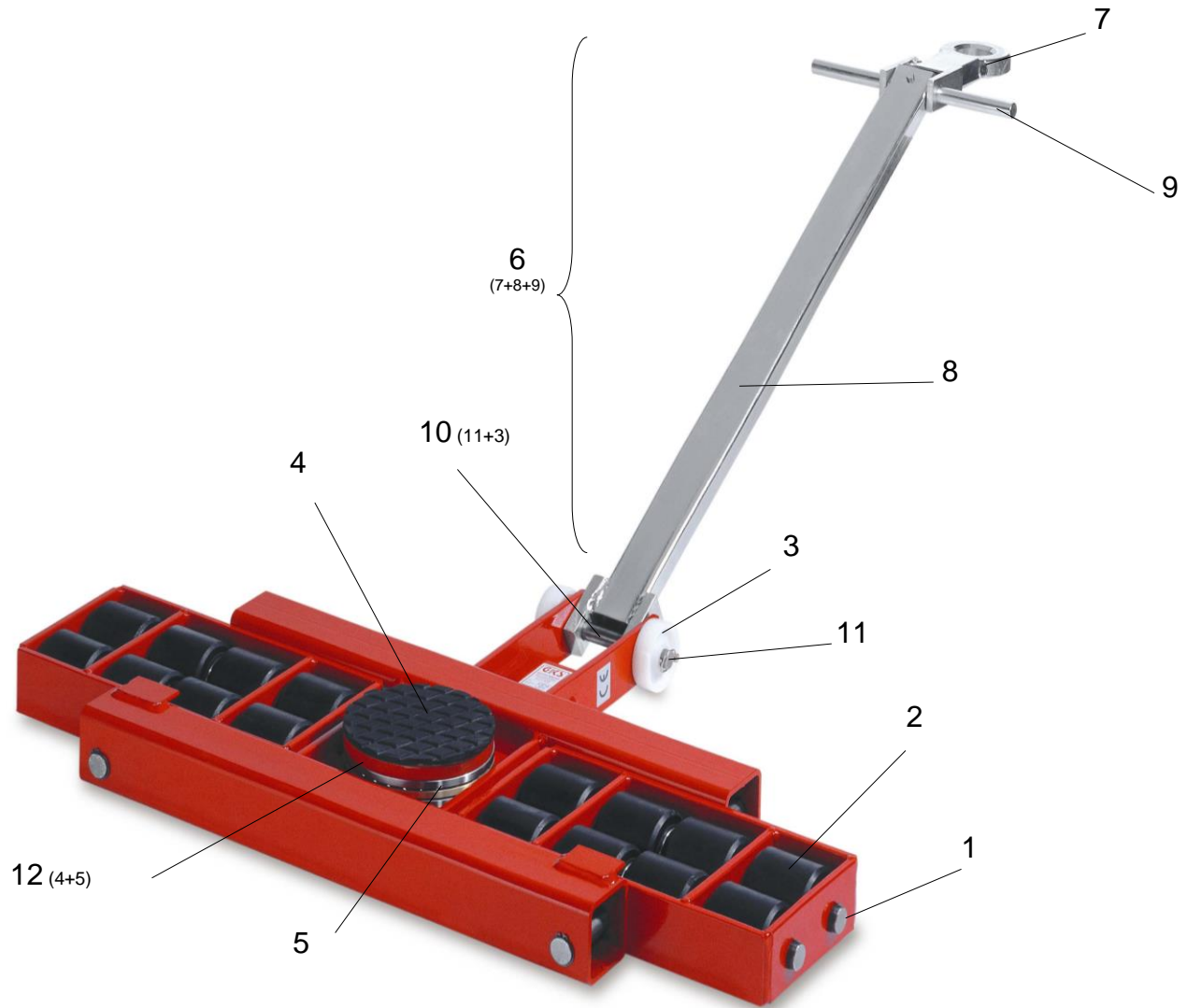




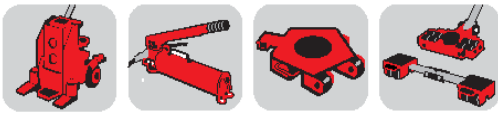
**SPARE PART LIST FOR TRANSPORT TROLLEYS TYPE L**

Valid from 1'2022

**Example transport trolley type L12**



**PLEASE USE ARTICLE-NO. WHEN ORDERING**



GKS Lifting and Moving Solutions LLC



www.gksweb.com

**SPARE PART LIST FOR TRANSPORT TROLLEYS TYPE L**

Valid from 1'2022

POS.	ART.-NO.	DIM. in mm	L 2.5	L3	L6	L9	L10	L12	L18	L20	L30	L40	L60
			10205	10207	10209	11071	13549	10313	10216	11061	11993	11771	10227
<b>Axle (incl. circlips)</b>													
1	10006	ø25-233	\$ 27.23										
	10007	ø25-270		\$ 40.82									
	12449	ø35-135					\$ 48.02						
	10002	ø25-211			\$ 44.53								
	11577	ø25-314				\$ 45.62							
	10003	ø25-300 (until 2002)				\$ 49.77							
	10005	ø25-412						\$ 89.49	\$ 89.49				
	10004	ø25-390 (until 2002)					\$ 58.94						
	10012	ø35-218,5								\$ 74.22		\$ 74.22	
	10009	ø35-390 (until 2002)								\$ 78.58			
	12181	ø25-320											
	12063	ø35-320.5									\$ 82.95		
10011	ø35-305.5											\$ 78.58	
<b>Roller</b>													
2	10014	ø75x66 - ø25 GKS-alperfekt® Polyamid white	\$ 38.72										
	10015	ø85x85 - ø25 GKS-alperfekt® Polyamid black		\$ 69.00	\$ 69.00	\$ 69.00		\$ 69.00					
	10016	ø85x85 - ø25 GKS@-perfekt steel Steel		\$ 134.00	\$ 134.00	\$134.00		\$134.00					
	11769	ø85x85 - ø25 GKS-alperfekt® PUR Polyurethane gray		\$ 109.14	\$ 109.14	\$109.14		\$109.14	\$109.14				
	10018	ø85x85 - ø25 GKS-alperfekt® premium Polyamid white		\$ 118.00	\$ 118.00	\$118.00		\$118.00	\$118.00				
	12007	ø140x85 - ø35 GKS@-perfekt PUR G Polyurethane gray								\$ 338.33	\$ 338.33	\$338.33	\$ 338.33
	10022	ø140x85 - ø35 GKS@-perfekt Premium G Polyamid white					\$ 165.00			\$ 165.00	\$ 165.00	\$165.00	\$ 165.00
<b>Supporting roller</b>													
3	10025	ø75			\$ 15.72	\$ 15.72		\$ 15.72	\$ 15.72	\$ 15.72	\$ 15.72	\$ 15.72	\$ 15.72
<b>Rubber load pad</b>													
4	10026	ø170	\$ 28.81	\$ 28.81	\$ 28.81	\$ 28.81	\$ 28.81	\$ 28.81	\$ 28.81				
	10027	ø250								\$ 43.22	\$ 43.22	\$ 43.22	
<b>Axial bearing</b>													
5	10028	70x50x14	\$ 36.02	\$ 36.02									
	10029	145x110x25			\$ 85.13								
	10030	170x130x30				\$130.97	\$ 130.97	\$130.97	\$130.97				
	10031	250x180x56								\$ 726.87	\$ 726.87	\$726.87	
	10032	340x240x78											\$1,644.39



**SPARE PART LIST FOR TRANSPORT TROLLEYS TYPE L**

Valid from 1'2022

POS.	ART.-NO.	DIM. in mm	L 2.5	L3	L6	L9	L10	L12	L18	L20	L30	L40	L60
			10205	10207	10209	11071	13549	10313	10216	11061	11993	11771	10227
<b>Handlebar complete (incl. handlebar and pulling eye)</b>													
6	10033	950	\$ 111.32	\$ 111.32									
	13205	1080			\$ 246.84	\$246.84		\$246.84	\$246.84				
	10036	1620					\$ 726.87			\$ 726.87	\$ 726.87	\$726.87	
	10037	1620											\$ 705.43
<b>Pulling eye</b>													
7	10042	ø101.6-213			\$ 67.16	\$ 67.16		\$ 67.16	\$ 67.16				
	10044	ø100-270					\$ 145.20			\$ 145.20	\$ 145.20	\$145.20	
	10045	ø100-270											\$ 202.76
<b>Handlebar (without handlebar and pulling eye)</b>													
8	10043	990	\$ 85.31	\$ 85.31									
	13188	887			\$ 209.69	\$209.69		\$209.69	\$209.69				
	10040	1420					\$ 498.72			\$ 498.72	\$ 498.72	\$498.72	
	10041	1420											\$ 510.62
<b>Handle for handlebar</b>													
9	10056	ø20-300	\$ 29.92	\$ 29.92	\$ 29.92	\$ 29.92		\$ 29.92	\$ 29.92				
	10057	ø25-400					\$ 29.72			\$ 29.72	\$ 29.72	\$ 29.72	
	10468	ø35-400											\$ 34.32
<b>Axle handlebar incl. linch pin/circlips</b>													
10	10767	ø20-99	\$ 33.62	\$ 33.62									
	10058	ø20-180			\$ 50.42	\$ 50.42		\$ 50.42	\$ 50.42				
	10059	ø25-179					\$ 48.02			\$ 48.02	\$ 48.02	\$ 48.02	
	10766	ø35-180											\$ 37.40
<b>Linch pin</b>													
11	10050	4x27	\$ 7.26	\$ 7.26	\$ 7.26	\$ 7.26		\$ 7.26	\$ 7.26				
	10051	5x32					\$ 9.08			\$ 9.08	\$ 9.08	\$ 9.08	
<b>Rotating table complete (incl. rubber pad + axial bearing)</b>													
12	10544	ø 170	\$ 83.12										
	10046	ø 170		\$ 102.59									
	10047	ø 170			\$ 229.19								
	10048	ø 170				\$268.48		\$268.48	\$268.48				
	10049	ø 250					\$1,174.35			\$1,174.35	\$1,174.35	until 2007 \$1,174.35	
	10578	ø 250										after2007 \$964.37	
	10769	ø 340											\$1,145.87

Delivery only to our sales and delivery terms.  
 We assume no liability for printing errors.  
 Production revisions are subject to change.  
 Prices are subject to change without notice.