

GKS Lifting and Moving Solutions LLC

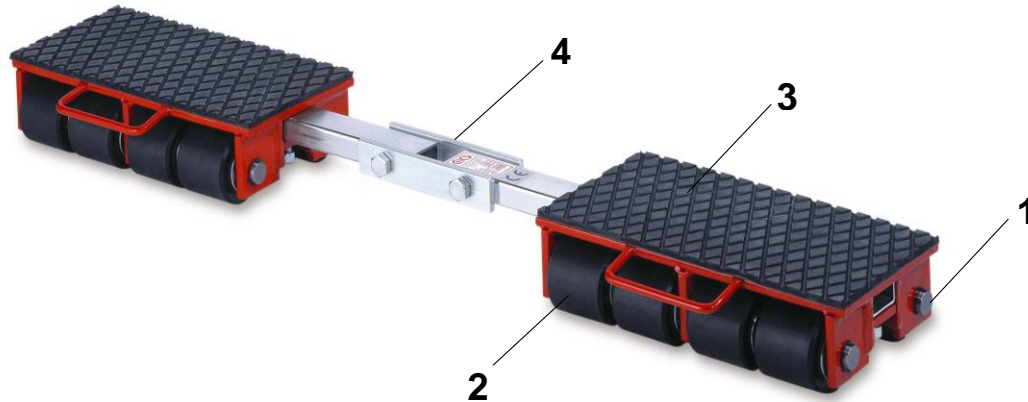


www.gksweb.com

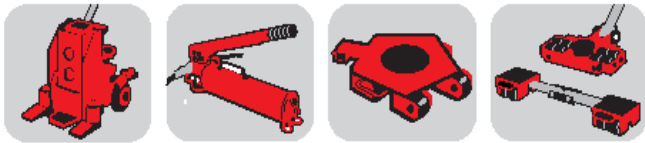
SPARE PART LIST FOR TRANSPORT TROLLEYS TYPE F

Valid from 07'21

Example transport trolley type F12



| POS. | ART.-NO. | DIM. in mm | F2.5 | F3 | F6 | F9 | F12 | F18 | F20 | F30 | F40 | F60 | |
|------|------------------------------|---|----------|----------|----------|----------|----------|----------|-----------|-----------|-----------|-----------|-----------|
| | | | 10204 | 10206 | 10208 | 11070 | 10312 | 10215 | 11060 | 11992 | 11770 | 10226 | |
| 1 | Axle (incl. circlips) | | | | | | | | | | | | |
| | 10000 | ø25-101 | \$ 27.26 | | | | | | | | | | |
| | 10001 | ø25-120 | | \$ 36.67 | | | | | | | | | |
| | 12449 | ø35-135 | | | | | | | | | | | |
| | 10002 | ø25-211 | | | \$ 44.53 | | | | | | | | |
| | 11577 | ø25-314 | | | | \$ 45.62 | | | | | | | |
| | 10003 | ø25-300 (until 2002) | | | | \$ 49.77 | | | | | | | |
| | 10013 | ø25-405 | | | | | \$ 89.49 | \$ 89.49 | | | | | |
| | 10004 | ø25-390 (until 2002) | | | | | \$ 58.94 | | | | | | |
| | 10012 | ø35-218.5 | | | | | | | \$ 74.22 | | \$ 74.22 | | |
| | 10009 | ø35-390 (until 2002) | | | | | | | \$ 78.58 | | | | |
| | 12181 | ø25-320 | | | | | | | | | | | |
| | 12063 | ø35-320.5 | | | | | | | | \$ 82.95 | | | |
| | 10011 | ø35-305.5 | | | | | | | | | | | \$ 78.58 |
| 2 | Roller | | | | | | | | | | | | |
| | 10014 | ø75x66 - ø25 GKS-alperfekt® Polyamid | \$38.72 | | | | | | | | | | |
| | 10015 | ø85x85 - ø25 GKS-alperfekt® Polyamid Black | | \$ 69.00 | \$ 69.00 | \$ 69.00 | \$ 69.00 | | | | | | |
| | 10016 | ø85x85 - ø25 GKS®-perfekt Stahl Steel | | \$134.00 | \$134.00 | \$134.00 | \$134.00 | | | | | | |
| | 11769 | ø85x85 - ø25 GKS-alperfekt® PUR Polyurethane Gray | | \$109.14 | \$109.14 | \$109.14 | \$109.14 | \$109.14 | | | | | |
| | 10018 | ø85x85 - ø25 GKS-alperfekt® premium Polyamid White | | \$118.00 | \$118.00 | \$118.00 | \$118.00 | \$118.00 | | | | | |
| | 12007 | ø140x85 - ø35 GKS®-perfekt PUR G Polyurethane Gray | | | | | | | \$ 338.33 | \$ 338.33 | \$ 338.33 | \$ 338.33 | \$ 338.33 |
| | 10022 | ø140x85 - ø35 GKS®-perfekt Premium G Polyamid White | | | | | | | \$ 337.00 | \$ 337.00 | \$ 337.00 | \$ 337.00 | \$ 337.00 |



GKS Lifting and Moving Solutions LLC



www.gksweb.com

SPARE PART LIST FOR TRANSPORT TROLLEYS TYPE F

Valid from 07'21

| POS. | ART.-NO. | DIM. in mm | F2.5 | F3 | F6 | F9 | F12 | F18 | F20 | F30 | F40 | F60 |
|------------------------|----------|------------------------|----------|----------|----------|----------|----------|----------|-----------|-----------|-----------|-----------|
| | | | 10204 | 10206 | 10208 | 11070 | 10312 | 10215 | 11060 | 11992 | 11770 | 10226 |
| Rubber load pad | | | | | | | | | | | | |
| 3 | 10064 | 140x120x8 | \$ 20.54 | | | | | | | | | |
| | 10065 | 150x150x8 | | \$ 20.95 | | | | | | | | |
| | 10066 | 220x200x8 | | | \$ 31.21 | | | | | | | |
| | 14889 | 280x135x8 | | | | | | | | | | |
| | 11136 | 320x200x8 | | | | \$ 43.22 | | | | | | |
| | 10067 | 180x170x8 (until 2002) | | | | \$ 31.21 | | | | | | |
| | 10068 | 200x407x8 | | | | | \$ 50.42 | \$ 50.42 | | | | |
| | 10069 | 280x220x8 | | | | | | | \$ 43.22 | | | |
| | 12064 | 290x320x8 | | | | | | | | \$ 50.20 | | |
| | 12311 | 370x370x8 | | | | | | | | | \$ 87.31 | |
| Connecting bar | | | | | | | | | | | | |
| 4 | 10075 | ∅25 - 1000 | \$ 50.29 | \$ 50.29 | | | | | | | | |
| | 10076 | 50x30x3 - 1030 | | | \$102.59 | | | | | | | |
| | 10077 | 50x30x3 - 1230 | | | | \$137.52 | | | | | | |
| | 11449 | 50x30x3 - 1430 | | | | | \$148.43 | \$148.43 | | | | |
| | 10078 | 100x50x3 - 1600 | | | | | | | \$ 172.44 | | | |
| | 10080 | 50x50x3 - 1490 | | | | | | | | \$ 178.99 | \$ 178.99 | |
| | 10082 | 50x50x5 - 2410 | | | | | | | | | | \$ 290.31 |

Delivery only to our sales and delivery terms.
 We assume no liability for printing errors.
 Production revisions are subject to change.
 Prices are subject to change without notice.

Please use article-no. when ordering. Contact us at info@gksweb.com.