



LIFTING & MOVING SOLUTIONS

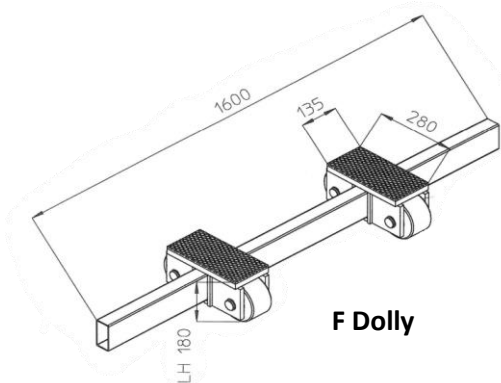
# Robot 10 7-14242



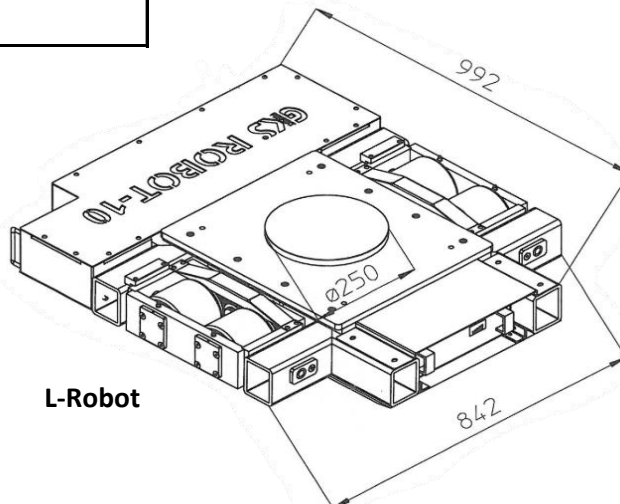
## Technical Data

Weight	▶	690 lbs / 313kg
Load Capacity	▶	22,000 lbs. (10 t) 100kN
Loading Height	▶	7.1" (180 mm)
Drive	▶	2 DC Motor (24 V / 930 W)
Battery Type	▶	Li-Ionen
Battery Life	▶	4-6 Hours
Speed	▶	Min: 20 ft/min Max: 36 ft/min
Incline Max**	▶	5%
Roller Amount	▶	4 - Driven, 4 Non-Driven
Roller Size - Driving Roller	▶	5.3x4.8" (135x121mm)
Driving Roller Type	▶	4-14095
Roller Size - Non-Driven Roller	▶	5.5x3.3" (140x85mm)
Non-Driven Roller Type	▶	4-12007
L-Robot Dimensions	▶	39.1 x 33.2 x 7.1" / 992 x 842 x 180 mm
F-Robot Dimensions	▶	11 x 63 x 7.1" / 280 x 1600 x 180 mm
Contact surface L-Robot	▶	9.8" / 250 mm
Contact Surface / Cassette	▶	8.6 – 10.8" / 25 x 275 mm
Connecting Bar, Adjustable	▶	1.4' – 5.3' (440 – 1600 mm)
Swivel Plate / Steering Angle	▶	Ø 6.7" (170 mm) / ± 90°
L-ROBOT Weight	▶	529 lbs. / 240 kg
F Dolly Weight	▶	243 lbs. / 100 kg

## Dimensions



F Dolly



L-Robot