

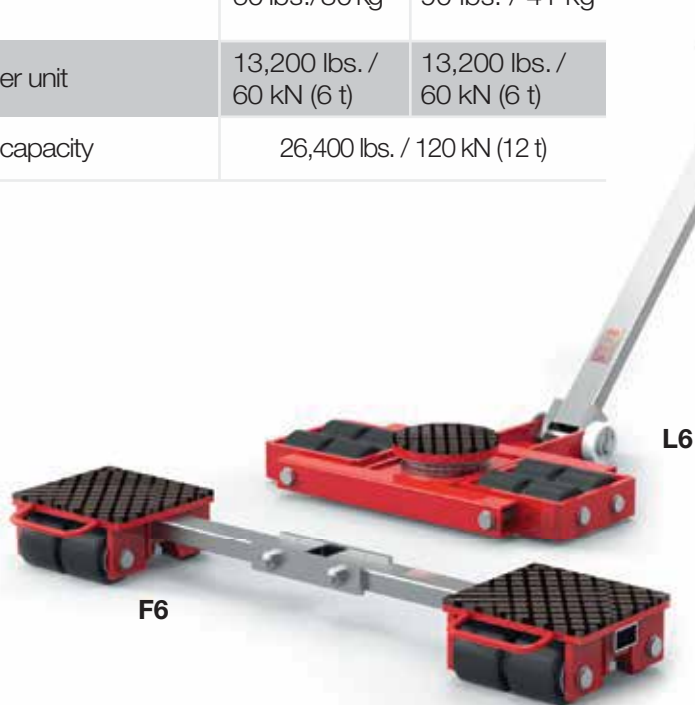
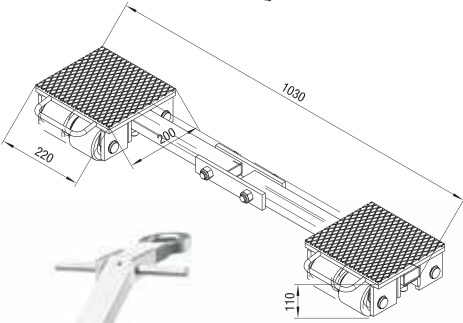
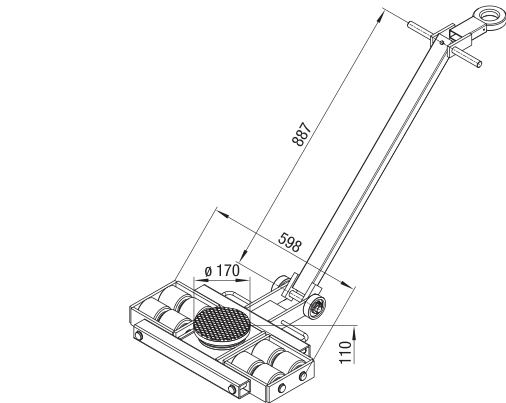


## Transport Dollies F6 / L6

- Features:**
- L dolly- includes towing eye for easy transport of the load
  - F dolly- connecting bar with joint to accommodate uneven surfaces
  - High durability rollers that are non-marking
  - All wheels are boxed in for protection



Technical data	F6	L6
Item number	3-10208	3-10209
Loading height / number of wheels (85 x 85 mm)	4.3" / 8 110mm / 8	4.3" / 8 110mm / 8
Contact surface per cartridge	7.9x8.7" / 200 x 220 mm	—
Connecting bar	25.2-40.6" / 640 x 1030 mm	—
Swivel plate $\varnothing$ 170 mm, steering angle	—	$\pm 90^\circ$
Steering rod	34.9" / 887mm	37.4" / 950 mm
Overall dimensions (L x W)	7.9 x 40.6" / 200 x 1030 mm	20.7 x 23.5" / 525 x 598 mm
Weight	60 lbs./30 kg	90 lbs. / 41 kg
Load capacity per unit	13,200 lbs. / 60 kN (6 t)	13,200 lbs. / 60 kN (6 t)
Combined load capacity	26,400 lbs. / 120 kN (12 t)	



- Contents
- Hydraulic Toe Jacks
- Pumps
- Transport Dollies**
- Rotating Dollies
- ROBOTS
- Rollers
- Nickel Plated Equipment