

eSync

Portable hydraulic multi-point motion control system
Synchronous lifting/lowering, or pushing/pulling for heavy objects.



PORTABLE AND EXPANDABLE MOTION CONTROL SYSTEM

eSync Hydraulic Synchronous Lifting/Lowering Solution

The Power Team eSync portable synchronous system is a combination of digital actuation and digital control. The Microprocessor-controlled eSync is a high accuracy solution to lift or lower an object within a tight tolerance. Synchronous lifting helps to eliminate unwanted stress on the object while the eSync standard features offer the ultimate in user and object safety.

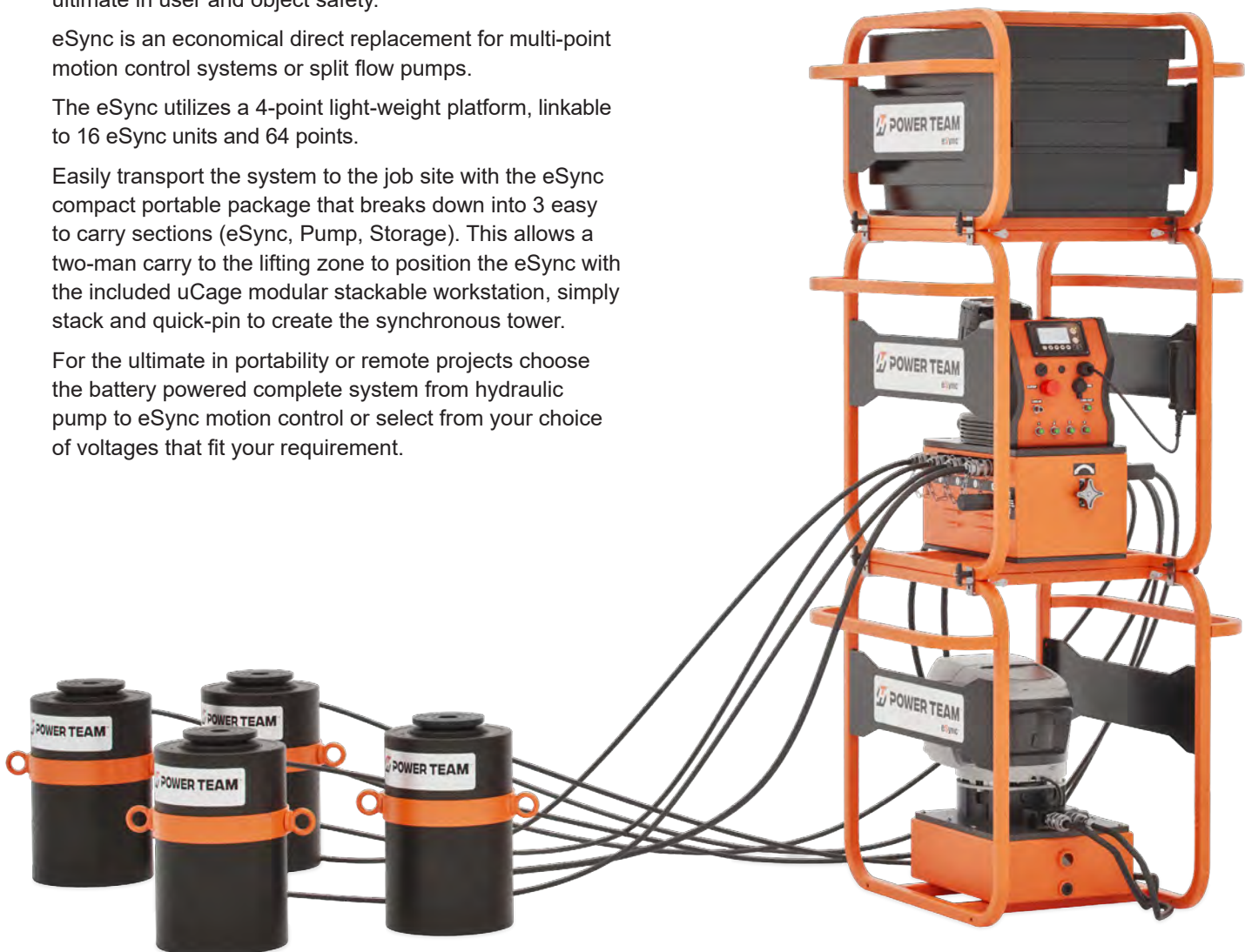
eSync is an economical direct replacement for multi-point motion control systems or split flow pumps.

The eSync utilizes a 4-point light-weight platform, linkable to 16 eSync units and 64 points.

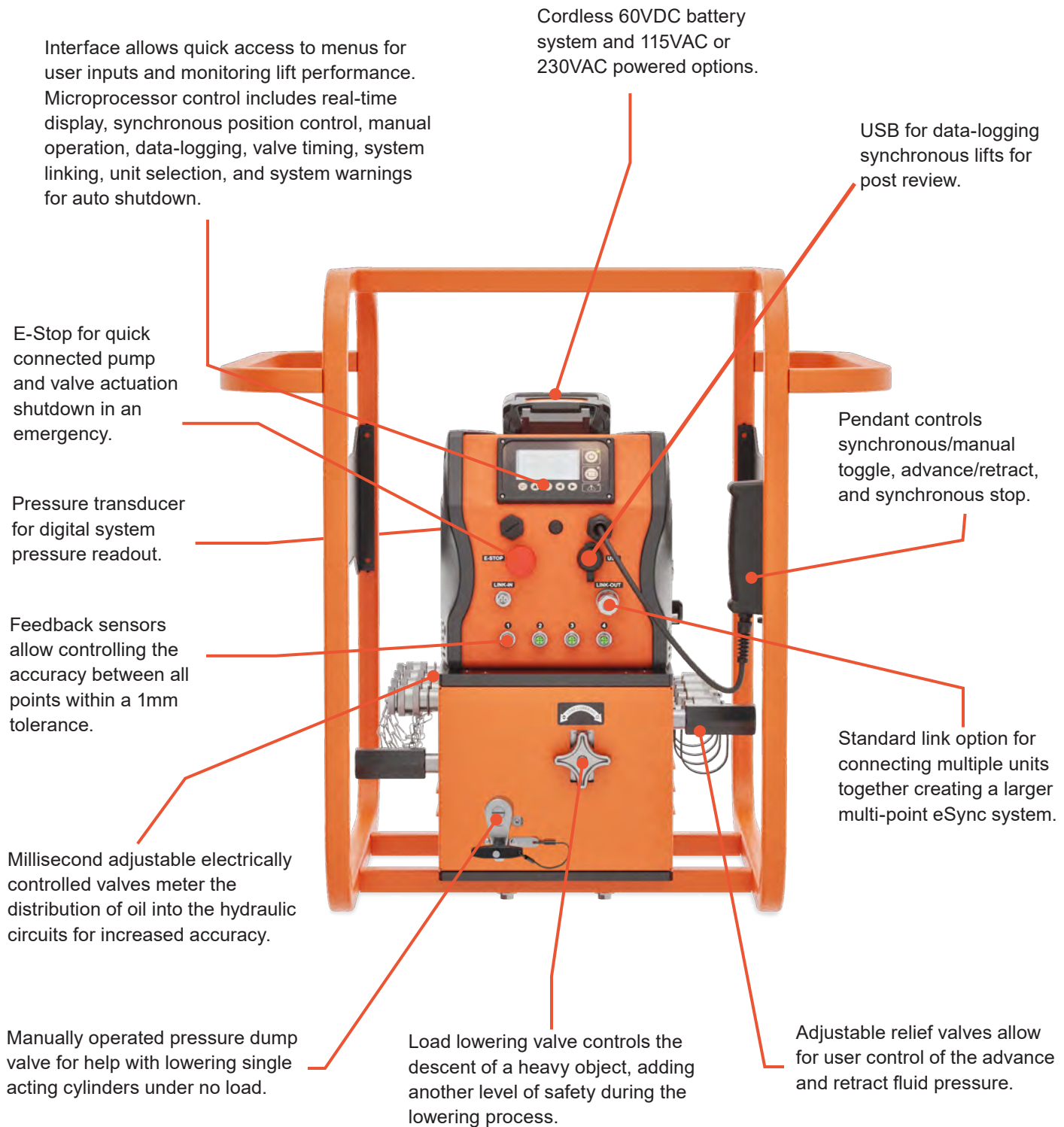
Easily transport the system to the job site with the eSync compact portable package that breaks down into 3 easy to carry sections (eSync, Pump, Storage). This allows a two-man carry to the lifting zone to position the eSync with the included uCage modular stackable workstation, simply stack and quick-pin to create the synchronous tower.

For the ultimate in portability or remote projects choose the battery powered complete system from hydraulic pump to eSync motion control or select from your choice of voltages that fit your requirement.

whether it is a bridge, a building, or any kind of heavy load, with the Power Team eSync, lifting, lowering, pushing, pulling, or positioning loads can be carried out automatically with a high degree of accuracy.



eSync KEY FEATURES



PB43 (Cordless) AND PE55 (Corded) HYDRAULIC PUMPS

PB43 cordless 60VDC battery system featuring a Li-ion 60VDC, 8.0 Ah battery with 4 level battery life indicator, 1.5 Hour battery charge time from drained to full. Battery chargers available in 115VAC 60HZ and 220AC 50HZ options. PE55 corded pumps available in 115VAC or 230VAC powered options.

Ergonomic 2-person carrying handle on cage for maximum comfort.

Weatherproof ratings:
Pump rated: IPX4

Plug and play manifold – easy hose connection.

Industry leading, field proven, Power Team Vanguard Pump technology.

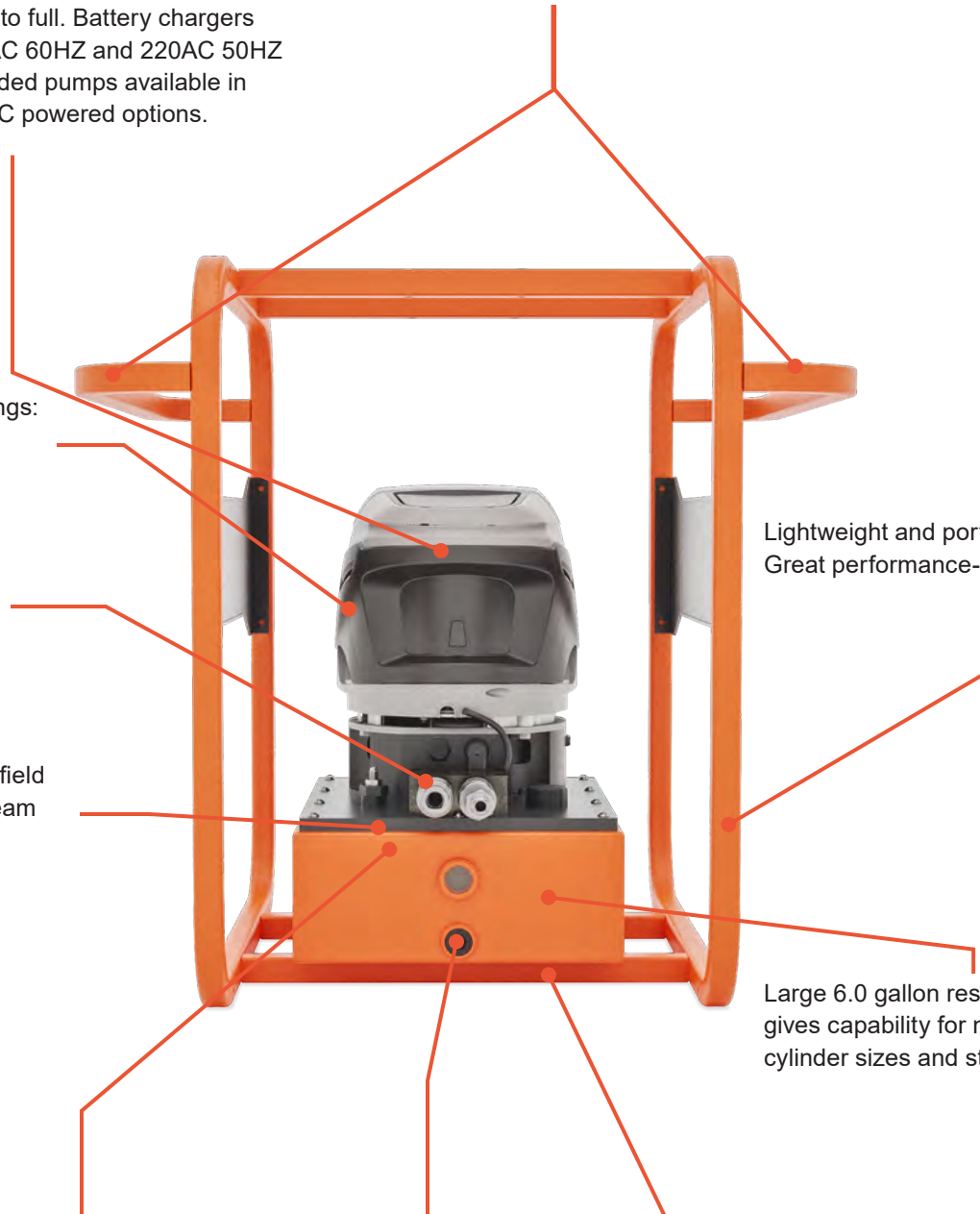
Two-stage, high-pressure (10k PSI) hydraulic pump offers unloading valve that achieves greater pump efficiency with quick tool advancement in the first stage, while shifting to high pressure second stage when demanded.

Easy access hydraulic fluid drain port.

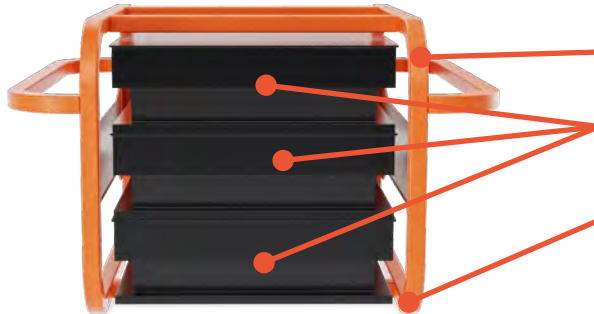
Lightweight and portable.
Great performance-to-weight ratio.

Large 6.0 gallon reservoir gives capability for most cylinder sizes and strokes.

Protective and stackable uCage comes standard with PE55 or PB43 hydraulic pumps.



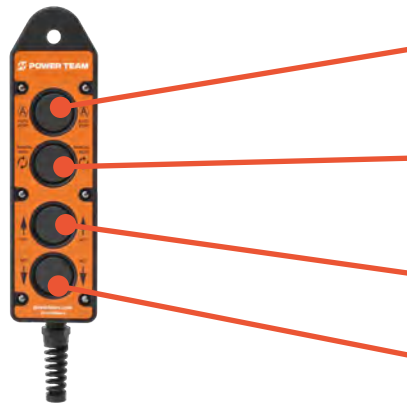
uCage & ADDITIONAL FEATURES



Protective and stackable uCage comes standard for the eSync, storage totes, and hydraulic pump.

Three on-board stackable totes allow protection and storage of position sensors and cables.

Lock-in-place design with secure strap for hassle-free transportation.

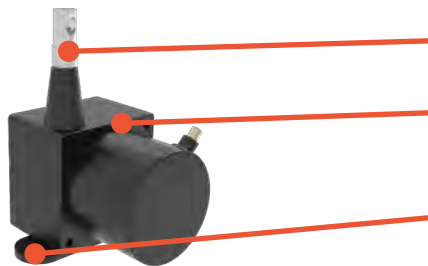


Handheld pendant controls the auto and manual functions allowing a remote position for better visual operation with included storage holster.

Pendant controls auto synchronous/manual toggle, advance/retract, and stop operation for safety situations that require a quick override.

Ergonomic IP55 rated remote pendant with 12 ft / 3.6m cord and large button design.

Pendant buttons require low finger depression force to operate for decreased operator fatigue.



39.4" (1000mm) linear position sensors give feedback to the Microprocessor for load location.

Position sensors allow synchronous movement accuracy to .040" (1mm).

Linear position sensors include magnet kit to mount to load or cylinder.



Li-ion 60VDC, 8.0 Ah battery with 4 level battery life indicator.

1.5 Hour battery charge time from drained to full.

Charger available in 115VAC 60HZ or 230VAC 50HZ.

Global battery compatible with both charger styles.

eSync TECHNICAL INFORMATION

Features

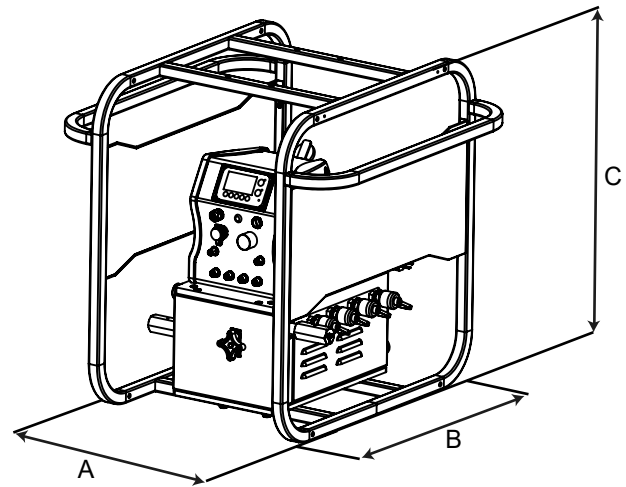
eSync includes 4 standard double acting hydraulic points, linkable to 16 eSync units and 64 points.

Systems can be completely cordless for reliable remote operation or corded when power is available.

eSync units are available without a pump or included with Power Team PB43 (cordless) or PE55 (corded) hydraulic 10K PSI pumps.

Systems that include a pump come with everything you need to get started. Just add cylinders and hydraulic hoses for a complete system ready to lift.

eSync battery supplies hours of continuous run time based on demand with 1 fully charged 8ah battery.



Order No.	With uCage in/(mm)				Pump Included	Voltage	Battery/Charger Included	Sensors/Transducers Included	*Weight lb (kg)			
	A	B	C	Total Height								
ES14PRTXA	19.0 (482.6)	27.0 (685.8)	27.0 (685.8)	44.0 (1117.6) includes totes uCage	N/A	115VAC 60HZ	N/A	(1) System pressure transducer & (4) linear position sensors	130 (59)			
ES24PRTXA						230VAC 50/60HZ						
ES64PRTYXA						60VDC 8Ah				115VAC 50/60HZ Charger		
ES64PRTZXAX										230VAC 50/60H Charger EU plug		
ES64PRTWXAX										230VAC 50/60H Charger UK plug		
ES64PRTXXAX										230VAC 50/60H Charger AU plug		
ES14PRTXD				71.0 (1803.4) includes totes and pump uCage			PE551MX2 hydraulic pump		115VAC 60HZ	N/A		261 (118.4)
ES24PRTXD							PE552MX2 hydraulic pump		230VAC 50/60HZ			
ES64PRTYXB							60VDC 8Ah		PB43MX2-1 hydraulic pump	115VAC 50/60HZ Charger		
ES64PRTZXB									PB43MX2-2 hydraulic pump	230VAC 50/60H Charger EU plug		
ES64PRTWXB	PB43MX2-3 hydraulic pump	230VAC 50/60H Charger UK plug										
ES64PRTXXB	PB43MX2-4 hydraulic pump	230VAC 50/60H Charger AU plug										
												269 (122.0)

*ESYNC WEIGHT: WITH UCAGE

Safety features

Full stop due to power failure, sensor failure, tolerance error, linked connection, time out and many more control and pendant warnings.

Protective and stackable uCage elevates the control height for improved operation and the overhead totes offer sun protection that improve display visibility.

Lightweight modular design allows for two-person carry for easy transport, setup, and teardown.

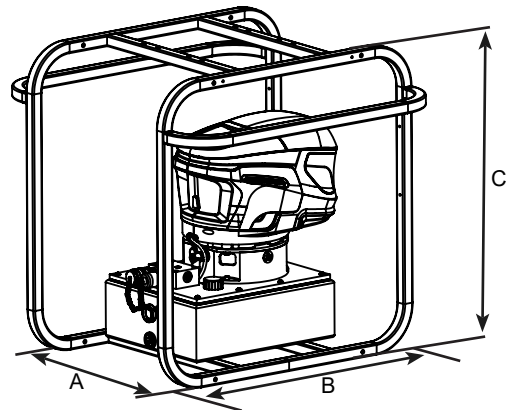


PUMP TECHNICAL INFORMATION

Battery version features

30 Minutes continuous run time with PB43 hydraulic pump based on demand.

The 60-volt battery powered motor in the PB43 offers increased power that delivers industry leading pump flow performance.



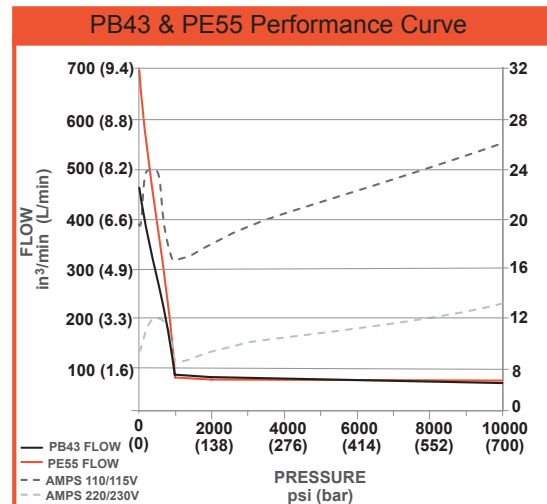
ABOVE: PB43 w/ uCage

Order No.	With uCage in/(mm)			Voltage	Pendant	9500 Valve	Battery/Charger Included	RPM	dBA Idle/Max Press.	Oil Delivery - l/min (cu.in/min) @			*Wt lbs (kg)	
	A	B	C							7 Bar (100 psi)	350 Bar (5k psi)	700 Bar (10k psi)		
PE551MX2	19.0 (482.6)	27.0 (685.8)	27.0 (685.8)	115VAC 60HZ	No	N/A	12k	83/91	11.5 (700)	1.2 (70)	1.0 (60)	131 (59.4)		
PE551MA2PE				Yes										
PE552MX2				No										
PE552MA2PE				Yes										
PB43MX2-1				60VDC 8Ah	No	115VAC 50/60HZ Charger	No	3.1k	73/75	7.8 (480)	1.2 (70)	0.7 (43)	137 (62.1)	
PB43MA2PE-1							Yes							
PB43MX2-2							No							230VAC 50/60HZ Charger EU Plug
PB43MA2PE-2							Yes							
PB43MX2-3							No							230VAC 50/60HZ Charger UK Plug
PB43MA2PE-3							Yes							
PB43MX2-4							No							230VAC 50/60HZ Charger AU Plug
PB43MA2PE-4							Yes							

*PUMP WEIGHT: FILLED WITH OIL INCLUDING UCAGE

Accessories

Accessory Part #	Description
3001434	LINKING CABLE 100' ASSEMBLY - ALLOWS CONNECTION OF MULTIPLE eSYNC UNITS
2010995	BATTERY CHARGER 115V US PLUG
2011156	BATTERY CHARGER 230V CE EU PLUG
3001464	BATTERY CHARGER 230V CE UK PLUG
3001465	BATTERY CHARGER 230V CE AU PLUG
2010994	BATTERY 60VDC 8ah



CUSTOMER SERVICE CENTERS

Rockford, Illinois USA
5885 11th Street
Rockford, IL 61109 USA
Tel: +1 800 541 1418
Fax: +1 800 288 7031
info.powerteam@spxflow.com

Gonzales, Louisiana USA
3141 S. Darla Avenue
Gonzales, LA 70737 USA
Tel: +1 225 774 0888
info@spxboltingsystems.com

Houston, Texas USA
3106 E Pasadena Freeway,
Pasadena, TX 77503 USA
Tel: +1 713 472 2500
info@spxboltingsystems.com

Corpus Christi, Texas USA
4930 Gemini Street,
Corpus Christi, TX 78405 USA
Tel: +1 361-445-3727
info@spxboltingsystems.com

Europe
Albert Thijsstraat 12
6471 WX Eyselshoven
The Netherlands
Tel: +31 45 567 8877
cs.emea@spxflow.com

India
Power Team Hydraulic Technologies
India Private Limited
Odhav, Ahmedabad - 382 415
Tel: +91 99099 85454
Fax: +91 97277 19950
ft.apac.ht@spxflow.com

South East Asia
Power Team Hydraulic Technologies
Singapore Pte. Ltd.
2 Bukit Batok Street 23,
#02-07 Bukit Batok Connection,
Singapore 659554
Tel: +65 6265 3343
singapore@spxboltingsystems.com

China
Hydraulic Technologies China Ltd.
No 666, Fengjin Road, Xidu Industrial
Park Fengxian District,
Shanghai 201401, China
Tel: +86 021 2208 5659
Fax: +86 21 2208 5682
china@spxboltingsystems.com

Australia
Hydraulic Technologies
Australia Pty Ltd,
211 Atlantic Drive, Keysborough,
Victoria 3173, Australia
Tel: +613 9589 9215
Fax: +61 02 9763 7888
ft.apac.ht@spxflow.com



SCAN QR CODE TO LEARN MORE ABOUT ESYNC

Distributed by:



Hydraulic Technologies, reserves the right to incorporate our latest design and material changes without notice or obligation. Design features, materials of construction and dimensional data, as described in this bulletin, are provided for your information only and should not be relied upon unless confirmed in writing. Please contact your local sales representative for product availability in your region. For more information, visit www.hydraulictechnologies.com