



GKS Lifting and Moving Solutions LLC



www.gksweb.com

SPARE PART LIST FOR ROTATING TROLLEYS TYPE RL

Valid from October 2014

POS.	DESCRIPTION	ART. NO.	DIM. in mm	RL1	RL2	RL4	RL4W	RL6
				11456	10238	10240	10838	13439
1	axle (incl. circlips)	10572	ø25x130		X	X	X	X
		10852	ø25x127					
		13577	ø25x100	X				
2	Roller - GKS®-perfekt (white)	10260	ø55x70	X				
	Roller - GKS®-perfekt (white)	10014	ø75x66	X				
	Roller - GKS-alperfekt® (black)	10015	ø85x85		X	X		
	Roller - GKS-alperfekt® premium (white)	10018	ø85x85		X	X	X	X
	Roller - GKS®-perfekt Standard S (black)	10020	ø140x85					
3	Rubber load pad	10026	ø170	X	X			
		10027	ø250			X	X	X
4	Axel Bearing (till 2009)	11469	ø35xø20x10	X				
	DU-Connector (till 2009)	11470	ø23xø20-30	X				
	Taper roller bearing	10978	ø25xø47x15	X				
	Taper roller bearing	10810	ø30xø62x21,25		X	X	X	X
5	Swinging arm (without comp. Parts)	11830	(till 2009)	X				
		13578	(since 2009)	X				
		10849	-		X	X	X	X
		10850	-					
6	NILOS-Ring / locking washer	13568		X				
		10521	-		X	X	X	X
7	Locking nut	12122	M25x1,5	X				
		10476	M30x1,5		X	X	X	X
8	Cheese head screw	11558	M6x16	X				
		10707	M8x16		X	X	X	X
9	Locking ring	10405	ø25x1,2	X	X	X	X	X
1+2+(2 x4) +5+6+7	swinging arm complete	13570		X				
		11862			X	X		
		11863						
		13241					X	X
10	Housing (plate with bolts)	13569		X				
		11002			X			
		12396						
		11538				X		
		13175					X	
13544							X	
12	Coupling for handlebar	11508			X	X	X	X
13	Connecting bar (with coupling for handlebar)	15022	ø25-1000	X				
		10241	30x50x5-1500		X	X	X	X
		11861	30x50x5-2000		X	X	X	X
		13063	30x50x5-2500		X	X	X	X
14	Handlebar compl. (incl. Handlebar/pulling eye)	10033	950	X				
		10034	1,080		X	X	X	X
15	Pulling eye	10042	ø101,6-213		X	X	X	X
16	Handle for handlebar	10056	ø20-300	X	X	X	X	X
17	Axle handlebar incl. linch pin	10767	ø20-99	X				
		10058	ø20-180		X	X	X	X
18	Linch pin	10050	4x27	X	X	X	X	X

DU-Buchse

PLEASE USE ARTICLE-NO. WHEN ORDERING

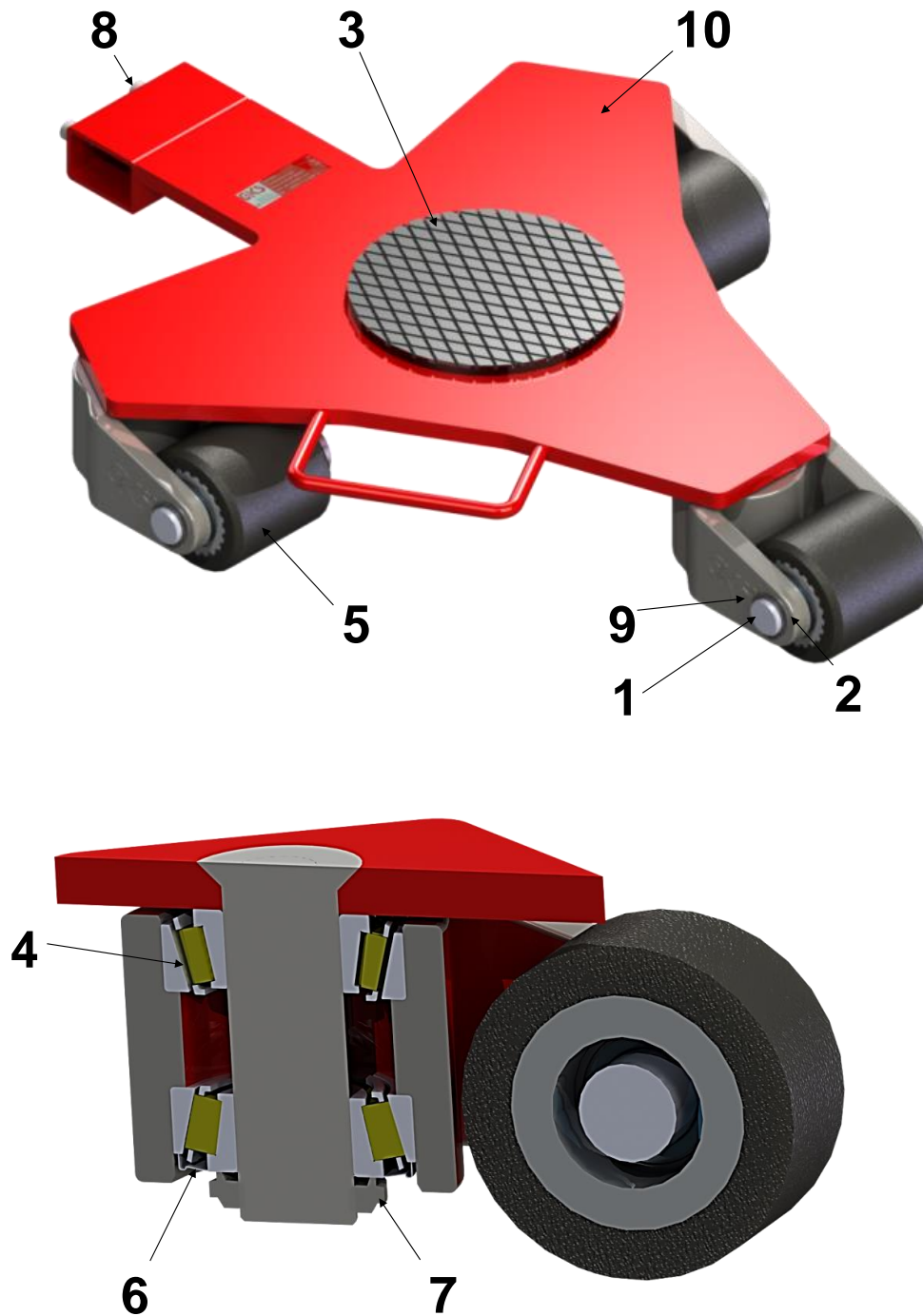
Production revisions are subject to change
Prices are subjects to change without notice



SPARE PART LIST FOR ROTATING TROLLEYS TYPE RL

Valid from October 2014

**Pictured Below
RL2**





SPARE PART LIST FOR ROTATING TROLLEYS TYPE RL

Valid from October 2014

2x RL-trolley with connecting bar and handlebar complete



1x RL- trolley with coupling and handlebar complete

RL2 to RL6

