

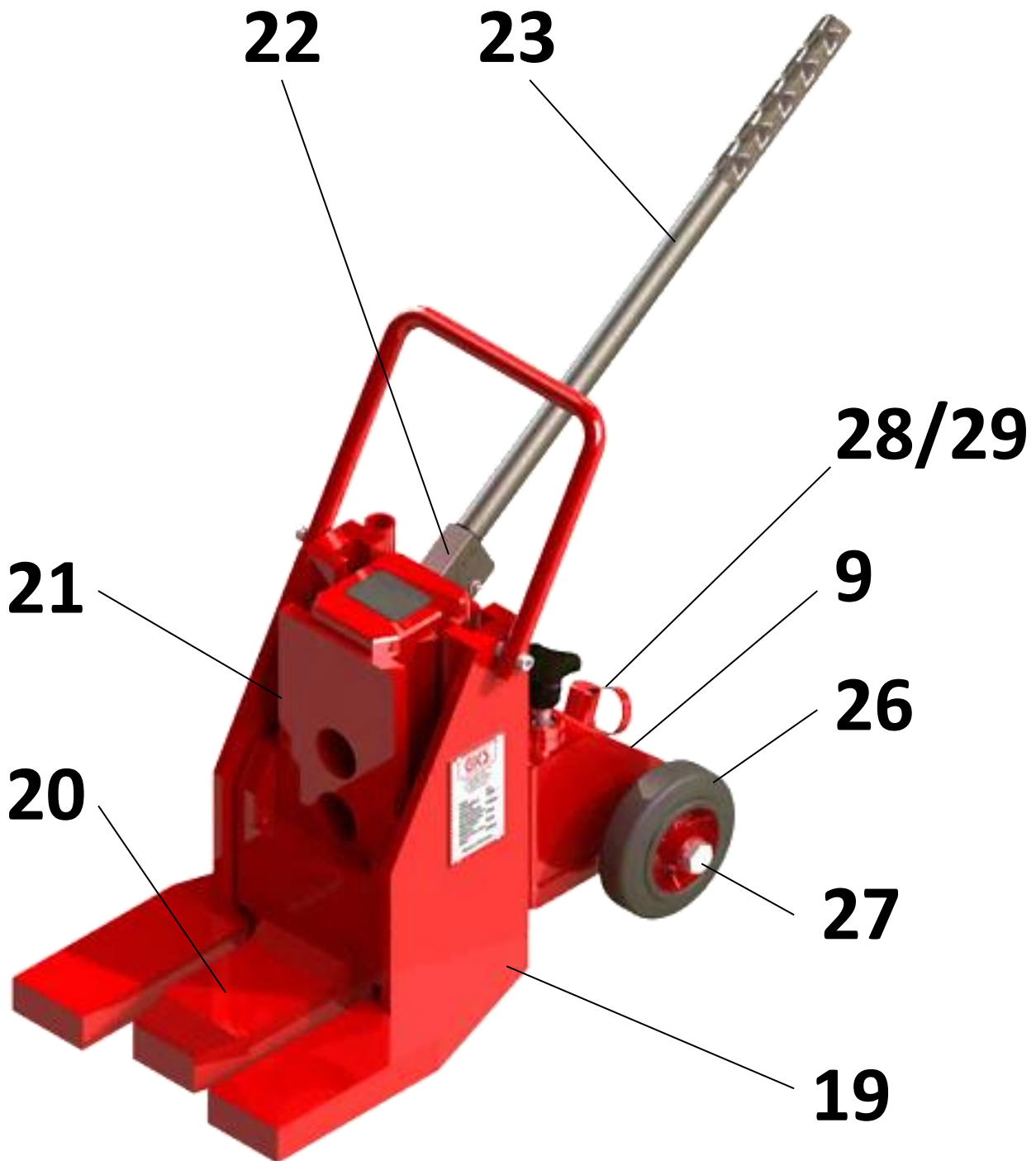
GKS Lifting and Moving Solutions LLC

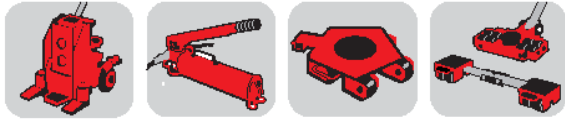


www.gksweb.com

SPARE PARTS FOR JACKS TYPE G

Valid from October 2014





GKS Lifting and Moving Solutions LLC

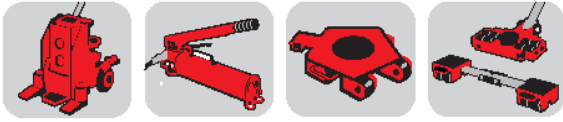


www.gksweb.com

SPARE PARTS FOR JACKS TYPE G

Valid from October 2014

DESCRIPTION	POS.	ART. No.	G5 (10189)	G10 (12378)
SEAL KIT				
Seal kit (8pcs.)		10104	X	
		10105		X
SEALS				
O – ring ø 8x4	1	10108	X	X
O – ring ø22x3	2	10110	X	X
O – ring ø10x3	3	10302	X	X
O – ring ø29x3	4	10111	X	
O – ring ø44x3		10112		X
Copper-ring ø14xø20x1,5	5	10115	X	X
Copper-ring ø11xø20x1	6	10116	X	X
Button-type seal 12x4x8	7	10117	X	X
Washer ø20xø35x9	8	10118	X	
Washer ø28xø50x10		10119		X
HYDRAULIC PARTS				
Hydraulic unit	9	10123	X	
		10124		X
Lifting piston compl.	10	10127	X	
		10128		X
Guiding nut	11	10131	X	
		10132		X
Pressure piston compl.	12	10136	X	
		10137		X
Drain screw compl.	13	10139	X	
		10140		X
Thrust bolt compl.	14	10141	X	X
Cylinder compl.	15	10142	X	X
Valve compl.	16	10146	X	X
Filter-double-ply	17	14928	X	X
O-ring ø17x1,6	18	14920	X	X



GKS Lifting and Moving Solutions LLC



www.gksweb.com

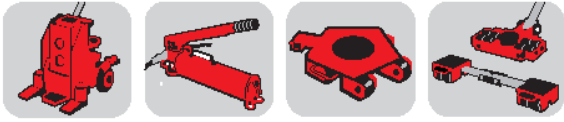
SPARE PARTS FOR JACKS TYPE G

Valid from October 2014

DESCRIPTION	POS.	ART. No.	G5 (10189)	G10 (12378)
OTHER PARTS OF JACKS				
Housing	19	10836	X	
		13014		X
Lifting toe	20	10481	X	
		12619		X
Slider	21	10831	X	
		12613		X
Plunger actuating block	22	10163	X	X
Pump lever	23	10164	X	X
Air-vent screw+o-ring	24	10165	X	X
Discharging handle	25	10166	X	X
Rubber wheel with hub	26	11297	X	
		10168		X
Screw for wheel	27	11763	X	
		10171		X
Quick release connector	28	10172	X	X
Screw Connection	29	10173	X	X
Swivel union is no longer required since year 2014				
Swivel union		11624	X	X

Production revisions are subjects to change.
Prices are subjects to change without notice.

Please use article-no. when ordering!



GKS Lifting and Moving Solutions LLC



www.gksweb.com

SPARE PARTS FOR JACKS TYPE G

Valid from October 2014

