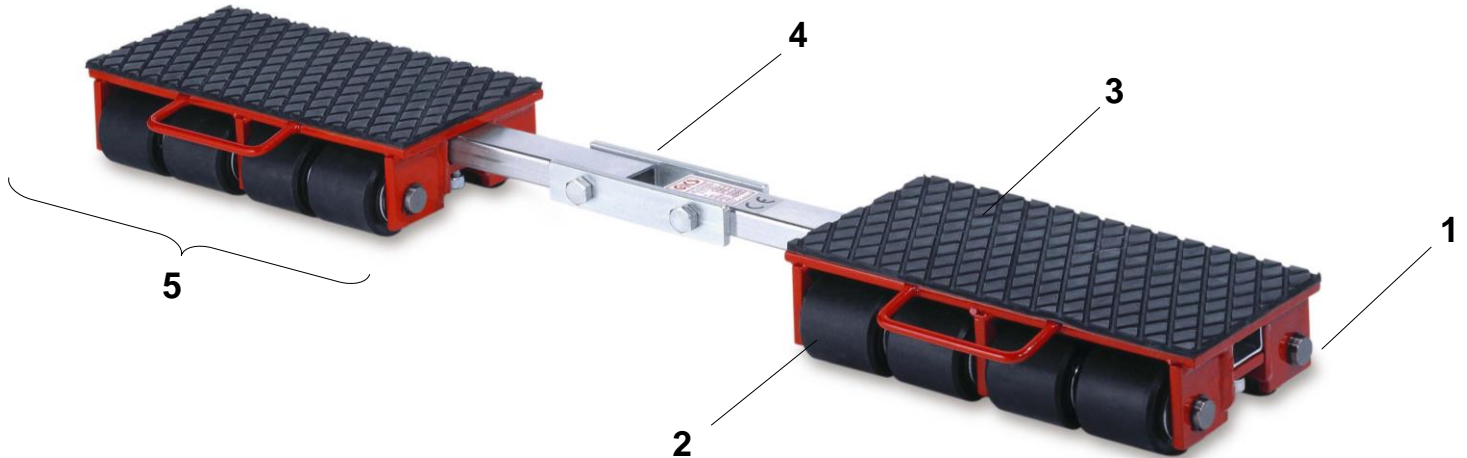


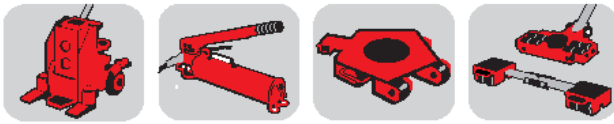
**Spare Part List for F-Type Dollies**

Valid From October 2014

( e.g. transport dolly type F12)



POS	ART.-NO.	DIM. in mm	F3	F6	F9	F10	F12	F18	F20	F25	F30	F40	F60
			10206	10208	11070	13552	10312	10215	11060	12141	11992	11770	10226
<b>Axle (incl. circlips)</b>													
1	10001	ø25-120	X										
	12449	ø35-135				X							
	10002	ø25-211		X									
	11577	ø25-314			X								
	10003	ø25-300 (until 2002)			X								
	10013	ø25-405					X	X					
	10004	ø25-390 (until 2002)					X						
	10012	ø35-218,5							X			X	
	10009	ø35-390 (until 2002)							X				
	12181	ø25-320								X			
	12063	ø35-320,5									X		
10011	ø35-305,5											X	
<b>Roller</b>													
2	10015	ø85x85 - ø25 GKS-alperfekt® Black Rollers	X	X	X		X						
	10016	ø85x85 - ø25 GKS®-perfekt Stahl Steel Rollers	X	X	X		X						
	11769	ø85x85 - ø25 GKS-alperfekt® PUR Polyurethane Rollers	X	X	X		X	X		X			
	10018	ø85x85 - ø25 GKS-alperfekt® premium White Rollers	X	X	X		X	X		X			
	12007	ø140x85 - ø35 GKS®-perfekt PUR G Polyurethane Rollers								X		X	X
	10022	ø140x85 - ø35 GKS®-perfekt Premium White Rollers					X			X		X	X



GKS Lifting and Moving Solutions LLC



www.gksweb.com

**Spare Part List for F-Type Dollies**

Valid From October 2014

POS.	ART.-NO.	DIM. in mm	F3	F6	F9	F10	F12	F18	F20	F25	F30	F40	F60
			10206	10208	11070	13552	10312	10215	11060	12141	11992	11770	10226
<b>Rubber Load Pad</b>													
3	10065	150x150x8	X										
	10066	220x200x8		X									
	14889	280x135x8				X							
	11136	320x200x8			X								
	10067	180x170x8 (unitl 2002)			X								
	10068	200x407x8					X	X					
	10069	280x220x8							X				
	12156	244x440x8								X			
	12064	285x300x8									X		
	12311	370x370x8										X	
<b>Non-Slip Surface</b>													
	12344	385x440x2											X
<b>Non-Slip Surface (cut goods)</b>													
	10757	Width 305 mm									X	X	X
<b>Connecting Bar</b>													
4	10075	∅25 - 1000	X										
	10076	50x30x3 - 1030		X									
	10077	50x30x3 - 1230			X								
	11449	50x30x3 - 1430					X	X					
	10078	100x50x3 - 1600				X			X				
	10080	50x50x3 - 1490								X	X	X	
	10082	50x50x5 - 2410											X
<b>Cassette Complete (incl. axles, rubber pad, wheels)</b>													
5	10084	-	X										
	10085	-		X									
	11574	-			X								
	14890	-				X							
	10088	-					X						
	10089	-						X					
	11193	-							X				
	12182	-								X			
	10092	-									X		
	11922	-										X	
	10097	-										X	

Production revisions are subject to change.  
 Prices are subject to change without notice!  
**Please use article-no. when ordering!**